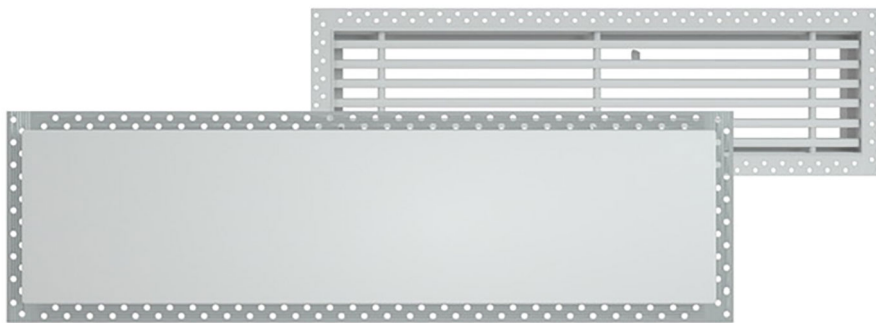


ATENA and IRIS

grilles with concealed frame for plasterboard

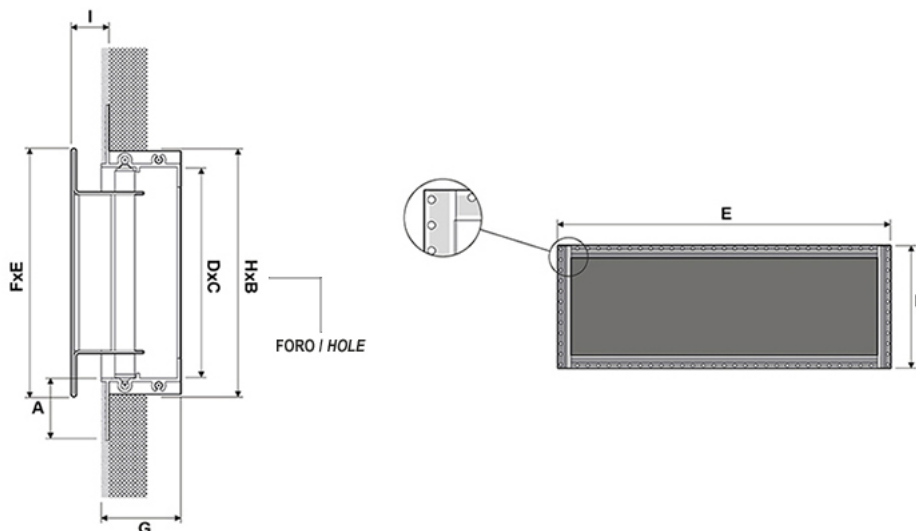
- cod. ACC600044 - cod. ACC600045 - cod. ACC600049
- cod. ACC600050



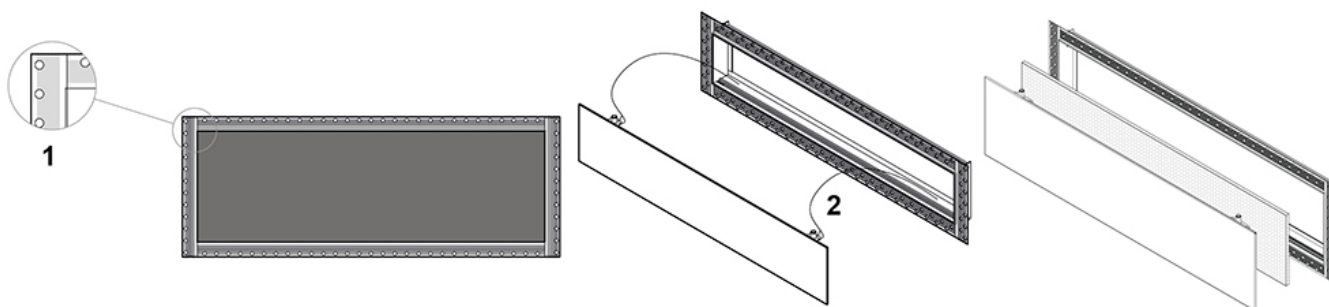
TECHNICAL SPECIFICATIONS:

- Made of anodised aluminium
- Air delivery and intake
- Grille with concealed frame and pull-out central zone
- Installation on frame support by means of screws
- G2 Filter
- Plenum for wall installation in plasterboard in electro-galvanised metal sheet prepared for Ø75 and Ø92 collars (separate)

MODEL "ATENA"

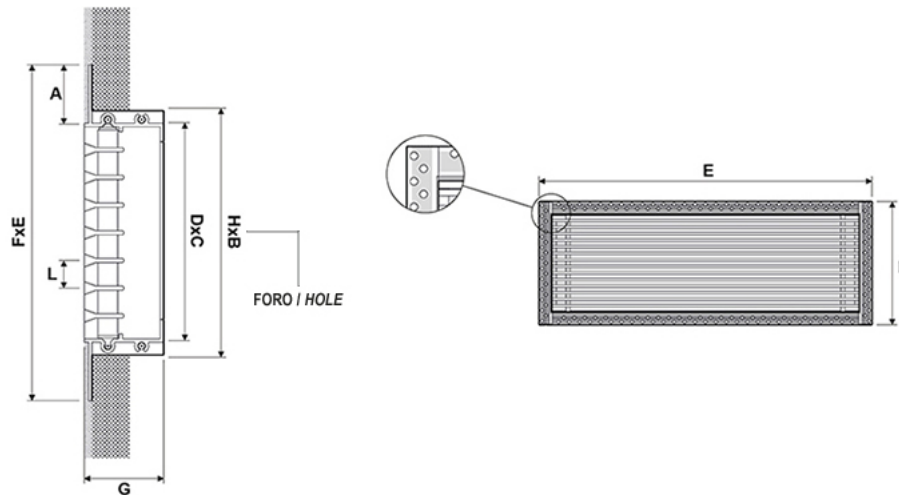


CODE	A [mm]	B [mm]	C [mm]	D [mm]	E [mm]	F [mm]	G [mm]	I [mm]	H [mm]
ACC600044	25	200	185	85	235	135	32	12	100
ACC600045	25	300	285	85	335	135	32	12	100

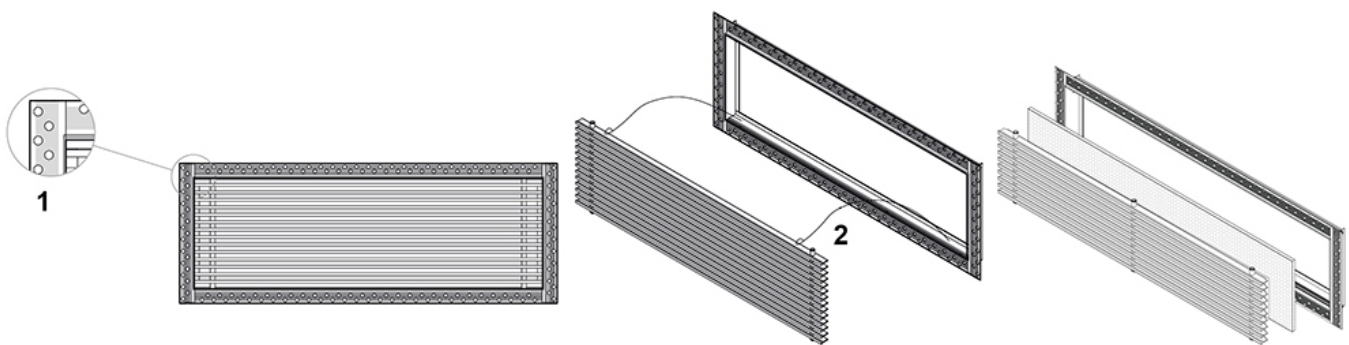


- [1] Perforations on the whole frame to favour adhesive masking cementitious materials and for frame fixing
- [2] Safety lanyards

MODEL "IRIS"



CODE	A [mm]	B [mm]	C [mm]	D [mm]	E [mm]	F [mm]	G [mm]	H [mm]	L [mm]
ACC600049	25	200	185	85	235	135	32	100	12,5
ACC600050	25	300	285	85	335	135	32	100	12,5



- [1] Perforations on the whole frame to favour adhesive masking cementitious materials and for frame fixing
- [2] Safety lanyards

DIMENSIONS

CODE	EXTERNAL DIMENSIONS [mm]	AIR FLOW RATE [m³/h]
ACC600044	200 x 100	30
ACC600045	300 x 100	40
ACC600049	200 x 100	50
ACC600050	300 x 100	80

ITEMS

CODE	DESCRIPTION
ACC600044	GRILLE MODEL ATENA 200x100
ACC600045	GRILLE MODEL ATENA 300x100
ACC600049	GRILLE MODEL IRIS 200x100
ACC600050	GRILLE MODEL IRIS 300x100

All rights relating to this publication are the exclusive property of Tecnosystemi SpA.
Tecnosystemi SpA reserves the right to make changes at any time and without notice, for technical or commercial needs.