

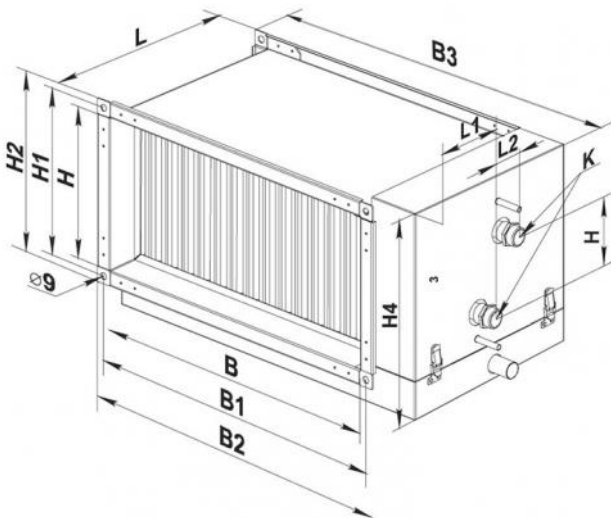
Cold water battery for heat recovery unit

- cod. 30370070 - cod. 30370080



TECHNICAL SPECIFICATIONS:

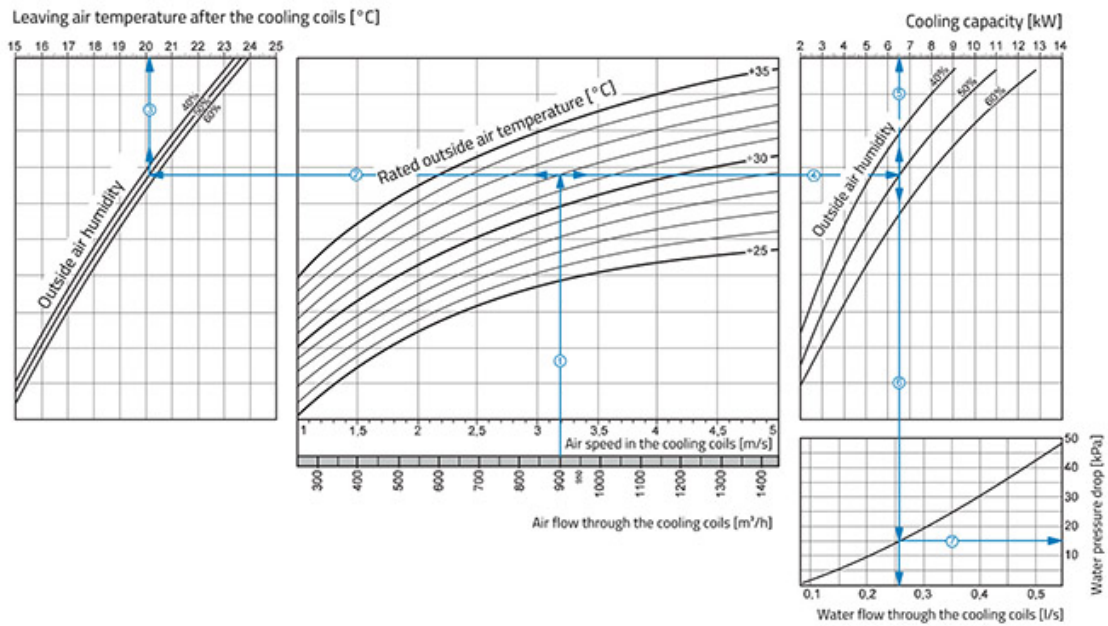
- Maximum operating pressure: 15 bar
- Horizontal installation only
- If the battery is installed in areas where the temperature is below 0°C, use an antifreeze mixture
- Designed for cooling the supply air in the ventilation system on rectangular ducting
- Heat exchanger with copper pipes and aluminium fin pack



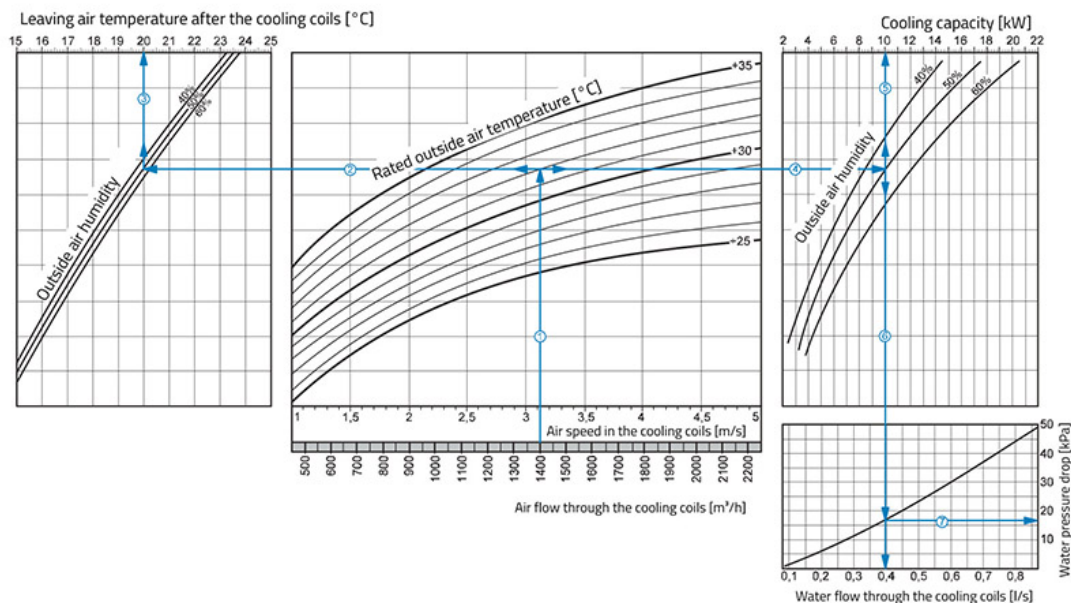
DIMENSIONS

CODE	B [mm]	B1 [mm]	B2 [mm]	B3 [mm]	H [mm]	H1 [mm]	H2 [mm]	H3 [mm]	H4 [mm]	L [mm]	L1 [mm]	L2 [mm]	K [mm]
30370070	400	420	438	528	200	220	238	70	273	395	176	43	G 3/4"
30370080	500	520	538	628	250	270	288	120	323	395	176	43	G 3/4"

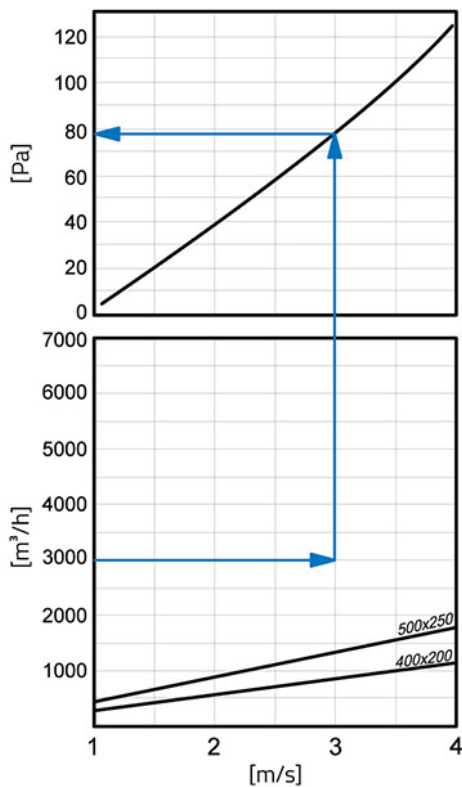
FLOW FLOW CODE 30370070



FLOW FLOW CODE 30370080



LOAD LOSS DIAGRAM



ITEMS

CODE	DESCRIPTION
30370070	COLD WATER COILS FOR. HEAT RECOVERY UNITS 400x200
30370080	COLD WATER COILS FOR. HEAT RECOVERY UNITS 500x250

All rights relating to this publication are the exclusive property of Tecnosystemi SpA.
Tecnosystemi SpA reserves the right to make changes at any time and without notice, for technical or commercial needs.