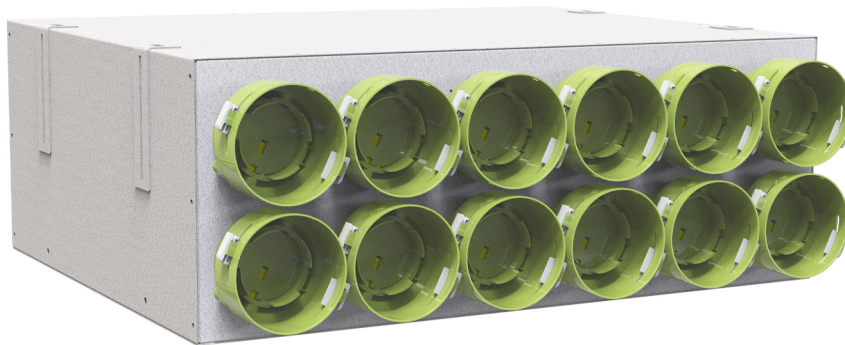


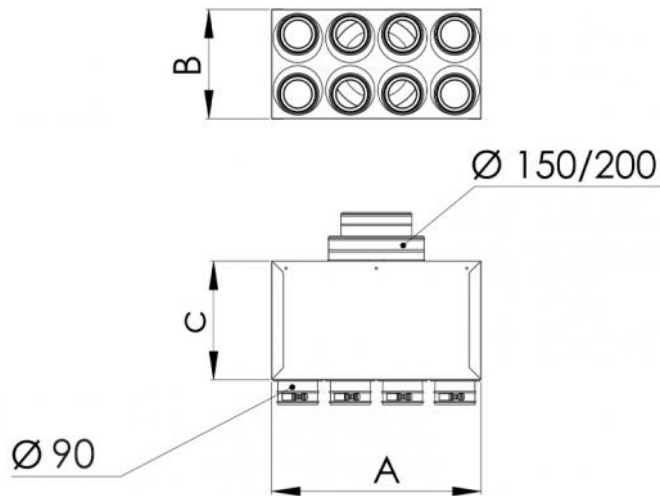
# Galvanised metal sheet soundproofed plenum 4-6-8-10-12 outputs Ø 90 with connectors complete with calibration damper with adjustment

- cod. ACD600128 - cod. ACD600129 - cod. ACD600130
- cod. ACD600131 - cod. ACD600132 - cod. ACD600133
- cod. ACD600134



## TECHNICAL SPECIFICATIONS:

- Made of galvanized metal sheet
- High sound insulation
- Internal sound absorber thickness 20mm
- Removable soundproofing septa
- Complete with brackets for ceiling mounting
- Output/input collars as per table
- Sleeves complete with calibration damper with graduated adjustment by screwdriver



## DIMENSIONS

CODE	A [mm]	B [mm]	C [mm]	INPUT Ø [mm]	No.of OUTLETS - Ø [mm]
ACD600128	360	240	500	150 / 200	4 - 90
ACD600129	360	240	500	150 / 200	6 - 90
ACD600130	660	240	500	150 / 200	8 - 90
ACD600131	660	240	500	150 / 200	10 - 90
ACD600132	660	240	500	150 / 200	12 - 90
ACD600133	360	240	500	100 / 125 / 150	4 - 90
ACD600134	360	240	500	100 / 125 / 150	6 - 90

## ITEMS

CODE	DESCRIPTION
ACD600128	SOUNDPROOF PLENUM MADE OF GALVANIZED METAL SHEET Ø 90 - 4 OUTLETS 150/200
ACD600129	SOUNDPROOF PLENUM MADE OF GALVANIZED METAL SHEET Ø 90 - 6 OUTLETS 150/200
ACD600130	SOUNDPROOF PLENUM MADE OF GALVANIZED METAL SHEET Ø 90 - 8 OUTLETS 150/200
ACD600131	SOUNDPROOF PLENUM MADE OF GALVANIZED METAL SHEET Ø 90 - 10 OUTLETS 150/200
ACD600132	SOUNDPROOF PLENUM MADE OF GALVANIZED METAL SHEET Ø 90 - 12 OUTLETS 150/200
ACD600133	SOUNDPROOF PLENUM MADE OF GALVANIZED METAL SHEET Ø 90 - 4 OUTLETS 100 / 125 / 150
ACD600134	SOUNDPROOF PLENUM MADE OF GALVANIZED METAL SHEET Ø 90 - 6 OUTLETS 100 / 125 / 150

All rights relating to this publication are the exclusive property of Tecnosystemi SpA.  
 Tecnosystemi SpA reserves the right to make changes at any time and without notice, for technical or commercial needs.