

# Insulated distribution plenum for CMV for flexible ducted hose 4-6-8-10-12 outputs Ø 75 with sleeves complete with calibration damper with adjustment

- cod. ACD600107 - cod. ACD600108 - cod. ACD600109  
- cod. ACD600110 - cod. ACD600111 - cod. ACD600112  
- cod. ACD600113



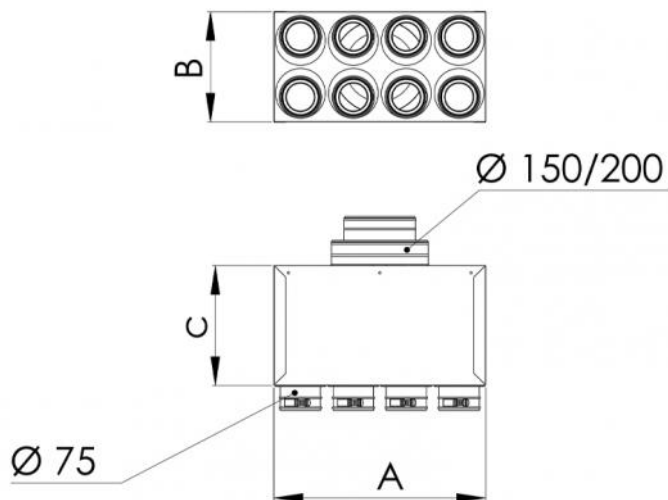
## DESCRIPTION

Distribution plenum for VMC made of galvanised metal sheet and insulated externally with polyethylene (thk. 3 mm), designed for use with flexible ducted pipes.

The plenum has an inlet collar with double diameter Ø150 / Ø200 or triple diameter Ø100 / Ø125 / Ø150 (see dimensions table).

Prearranged with a pre-drilled inlet to be perforated as required.

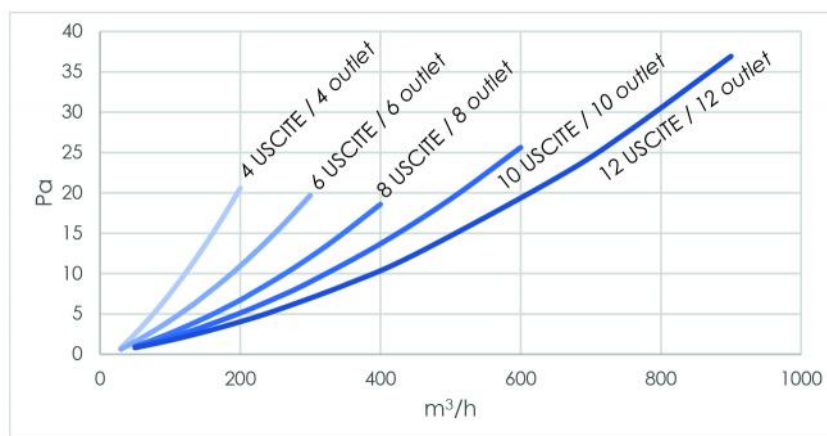
The pre-fitted collars Ø75 (see dimensions table) are complete with calibration dampers that are adjusted using a screwdriver.



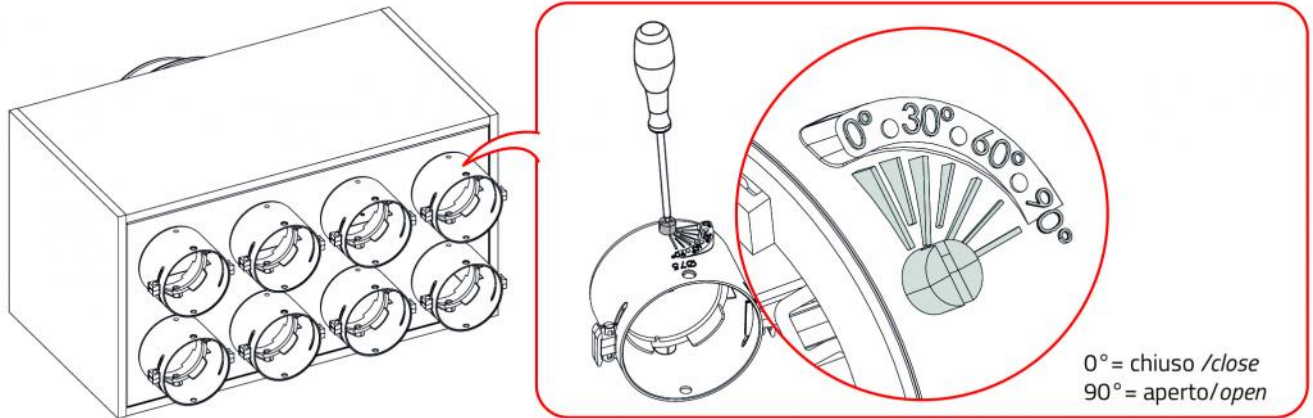
## DIMENSIONS

CODE	A [mm]	B [mm]	C [mm]	INPUT Ø [mm]	No.of OUTLETS - Ø [mm]
ACD600107	230	240	250	150 / 200	4 - 75
ACD600108	350	240	250	150 / 200	6 - 75
ACD600109	465	240	250	150 / 200	8 - 75
ACD600110	580	240	250	150 / 200	10 - 75
ACD600111	700	240	250	150 / 200	12 - 75
ACD600112	230	240	250	100 / 125 / 150	4 - 75
ACD600113	350	240	250	100 / 125 / 150	6 - 75

## LOAD LOSS DIAGRAM



## DAMPER ADJUSTMENT



## ITEMS

CODE	DESCRIPTION
ACD600107	MVHR INSULATED METAL SHEET PLENUM FOR FLEXIBLE CORRUGATED PIPE Ø75 4 OUTLETS Ø150/200
ACD600108	MVHR INSULATED METAL SHEET PLENUM FOR FLEXIBLE CORRUGATED PIPE Ø75 6 OUTLETS Ø150/200
ACD600109	MVHR INSULATED METAL SHEET PLENUM FOR FLEXIBLE CORRUGATED PIPE Ø75 8 OUTLETS Ø150/200
ACD600110	MVHR INSULATED METAL SHEET PLENUM FOR FLEXIBLE CORRUGATED PIPE Ø75 10 OUTLETS Ø150/200
ACD600111	MVHR INSULATED METAL SHEET PLENUM FOR FLEXIBLE CORRUGATED PIPE Ø75 12 OUTLETS Ø150/200
ACD600112	MVHR INSULATED METAL SHEET PLENUM FOR FLEXIBLE CORRUGATED PIPE Ø75 4 OUTLETS Ø100/125/150
ACD600113	MVHR INSULATED METAL SHEET PLENUM FOR FLEXIBLE CORRUGATED PIPE Ø75 6 OUTLETS Ø100/125/150

All rights relating to this publication are the exclusive property of Tecnosystemi SpA.  
Tecnosystemi SpA reserves the right to make changes at any time and without notice, for technical or commercial needs.