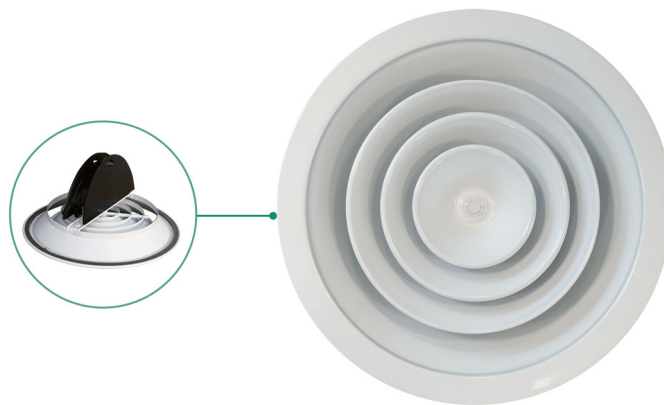


DCA

circular diffuser with fixed cones in white painted aluminium with butterfly shutter and collar

- cod. W11161760 - cod. W11161770 - cod. W11161780



DESCRIPTION

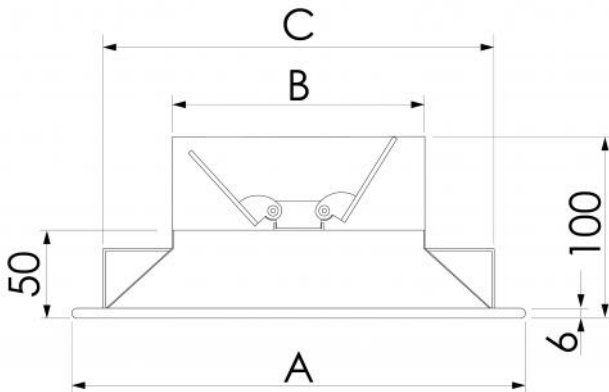
The DCA series white RAL 9016 painted aluminium diffusers are designed for use in conditioning, heating and ventilation applications, for both delivery and intake.

Their use is recommended in small rooms with heights from 2.5 to 3.5 m.

The special design of the diffuser ensure low pressure drops and reduced noise.

Easy to maintain and adjust, due to the possibility to remove the central cones.

The air flow is controlled by the shutters integrated in the diffuser.

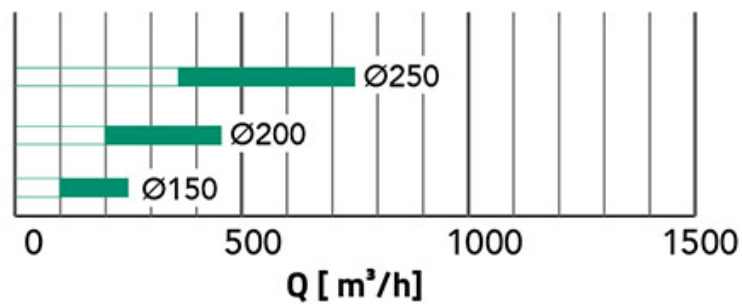


DIMENSIONS

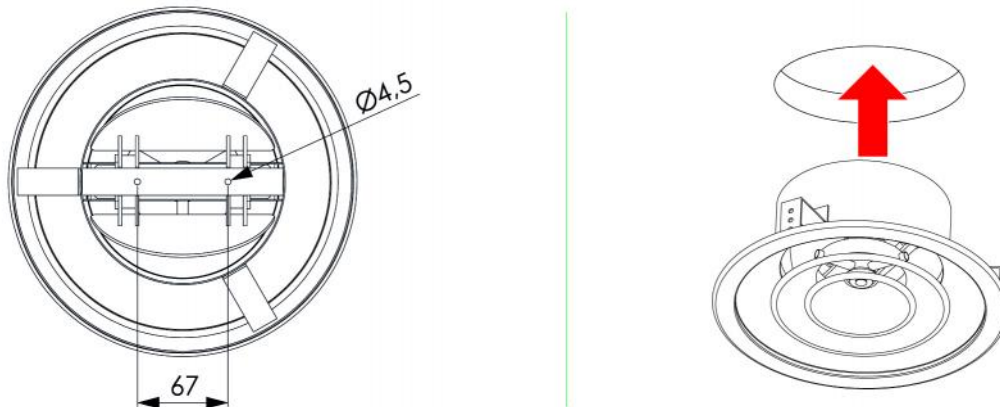
CODE	A [mm]	B [mm]	C [mm]
W11161760	260	150	220
W11161770	310	200	270
W11161780	360	250	320

Dimensions are expressed in mm, unless otherwise indicated.

RAPID AIR FLOW SELECTION



EXAMPLE OF DIFFUSER INSTALLATION



ITEMS

CODE	DESCRIPTION
W11161760	ALUMINIUM VERTICAL CIRCULAR DIFFUSERS WITH BUTTERFLY DAMPER AND WHITE FINISH - EXTERNAL Ø 260mm
W11161770	ALUMINIUM VERTICAL CIRCULAR DIFFUSERS WITH BUTTERFLY DAMPER AND WHITE FINISH - EXTERNAL Ø 310mm
W11161780	ALUMINIUM VERTICAL CIRCULAR DIFFUSERS WITH BUTTERFLY DAMPER AND WHITE FINISH - EXTERNAL Ø 360mm

All rights relating to this publication are the exclusive property of Tecnosystemi SpA.
 Tecnosystemi SpA reserves the right to make changes at any time and without notice, for technical or commercial needs.