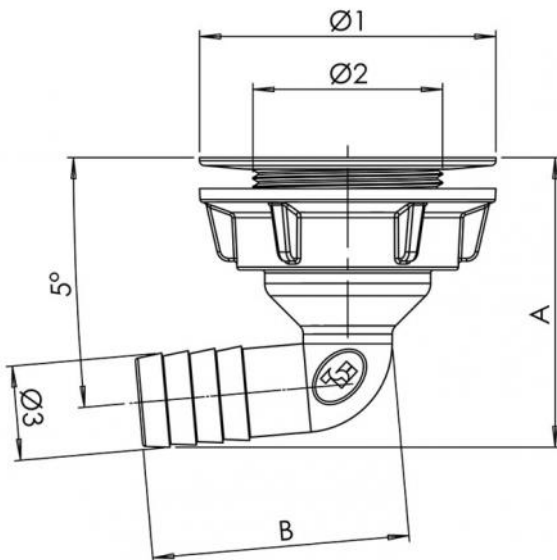


95° angle condensate drain plug with threaded collar connection Ø32

- cod. SCD300040 - cod. SCD300041 - cod. SCD300042



DIMENSIONS

CODE	A [mm]	B [mm]	Ø1 [mm]	Ø2 [mm]	Ø3 [mm]
SCD300040	49	43,4	50	32	16
SCD300041	52,2	50,2	50	32	20
SCD300042	56	57,8	50	32	25

ITEMS

CODE	DESCRIPTION
SCD300040	CONDENSATE DRAIN PIPETTE WITH Ø32 FIXING RING, Ø16 PIPE COUPLING
SCD300041	CONDENSATE DRAIN PIPETTE WITH Ø32 FIXING RING, Ø20 PIPE COUPLING
SCD300042	CONDENSATE DRAIN PIPETTE WITH Ø32 FIXING RING, Ø25 PIPE COUPLING

All rights relating to this publication are the exclusive property of Tecnosystemi SpA.
Tecnosystemi SpA reserves the right to make changes at any time and without notice, for technical or commercial needs.

