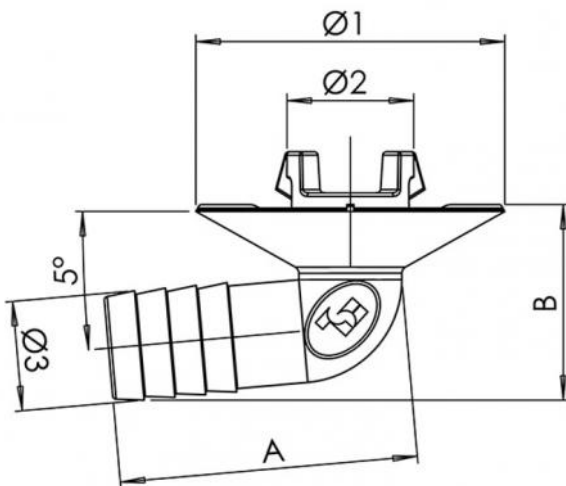


# 95° angled water drain pipette kit with snap-on attachment

- cod. SCD300047 - cod. SCD300048 - cod. SCD300059  
- cod. SCD300060



## DIMENSIONS

CODE	A [mm]	B [mm]	Ø1 [mm]	Ø2 [mm]	Ø3 [mm]
SCD300047	43,4	28,5	45	19	16
SCD300048	50,2	31,7	45	19	20
SCD300059	43,4	28,5	45	32	16
SCD300060	50,2	31,7	45	32	20

## ITEMS

CODE	DESCRIPTION
SCD300047	KIT FOR CONDENSATE DRAIN PIPETTE, Ø19 MACHINE COUPLING, Ø16 PIPE COUPLING
SCD300048	KIT FOR CONDENSATE DRAIN PIPETTE, Ø19 MACHINE COUPLING, Ø20 PIPE COUPLING
SCD300059	KIT FOR CONDENSATE DRAIN PIPETTE, Ø32 MACHINE COUPLING, Ø16 PIPE COUPLING
SCD300060	KIT FOR CONDENSATE DRAIN PIPETTE, Ø32 MACHINE COUPLING, Ø20 PIPE COUPLING

All rights relating to this publication are the exclusive property of Tecnosystemi SpA.  
 Tecnosystemi SpA reserves the right to make changes at any time and without notice, for technical or commercial needs.

