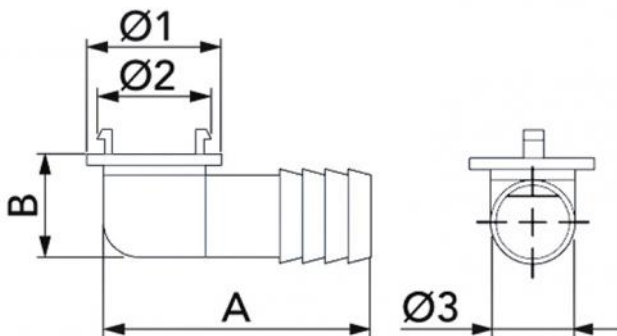


Water drain pipette kit with snap-on attachment with o-ring Ø 15/19

- cod. SCC300044 - cod. SCC300043



DIMENSIONS

CODE	A [mm]	B [mm]	Ø 1 [mm]	Ø 2 [mm]	Ø 3 [mm]
SCC300044	46	21	28	15	16
SCC300043	48	19	28	19	16

THE KIT CONSISTS OF:

ITEMS

CODE	DESCRIPTION
SCC300044	
SCC300043	

All rights relating to this publication are the exclusive property of Tecnosystemi SpA.
 Tecnosystemi SpA reserves the right to make changes at any time and without notice, for technical or commercial needs.

