

# BLUE RIVER

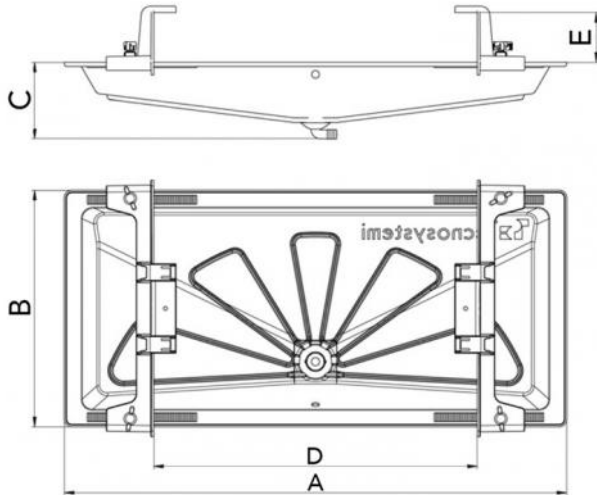
condensate drain pan in anthracite grey with heating cable

- cod. SCD300078 - cod. SCD300079 - cod. SCD300080  
- cod. SCD300081 - cod. SCD300082 - cod. SCD300083



## TECHNICAL SPECIFICATIONS:

- Made of ABS + PMMA plastic in anthracite grey RAL 7016
- Adjustable fastening brackets in PA6
- Coupling for condensate drain pipe  $\varnothing$  20 mm
- With 3 m or 6 m heating cable
- Heating cable diameter 6 mm
- Power supply voltage 230 V
- Resistance tolerances: -5% / +10%
- Activation of element at +3°C
- Built-in thermal sensor



## DIMENSIONS

CODE	A [mm]	B [mm]	C [mm]	D [mm]	E [mm]
SCD300078	850	400	130	320 ÷ 680	85
SCD300079	850	400	130	320 ÷ 680	85
SCD300080	1050	400	125	330 ÷ 885	85
SCD300081	1050	400	125	330 ÷ 885	85
SCD300082	1250	500	100	565 ÷ 1125	85
SCD300083	1250	500	100	565 ÷ 1125	85

## WITH HEATING CABLE 3 m:



- Includes 15 W/m 3 m heating cable
- Coupling for condensate drain pipe Ø 16
- Heating cable diameter 6 mm
- Power supply voltage 230 Vac - 50 Hz
- Resistance tolerances: -5% / +10%
- Activation of element at +3°C
- Built-in thermal sensor

**WITH HEATING CABLE 3+3 m:**



- Includes 15 W/m 3 m + 3 m (6 m) heating cable
- Coupling for condensate drain pipe Ø 20
- Equipped with a condensate drain pipe securing clamp
- With 3 m insulated condensate drain pipe
- Heating cable diameter 6 mm
- Power supply voltage 230 V
- Resistance tolerances: -5% / +10%
- Activation of element at +3°C
- Built-in thermal sensor

**ITEMS**

CODE	DESCRIPTION
SCD300078	"BLUE RIVER" DRAIN PAN WITH 3 mt HEATING CABLE (850x400 mm) - GREY
SCD300079	"BLUE RIVER" DRAIN PAN WITH 6 mt HEATING CABLE (850x400 mm) - GREY
SCD300080	"BLUE RIVER" DRAIN PAN WITH 3 mt HEATING CABLE (1050x400 mm) - GREY
SCD300081	"BLUE RIVER" DRAIN PAN WITH 6 mt HEATING CABLE (1050x400 mm) - GREY
SCD300082	"BLUE RIVER" DRAIN PAN WITH 3 mt HEATING CABLE (1250x500 mm) - GREY
SCD300083	"BLUE RIVER" DRAIN PAN WITH 6 mt HEATING CABLE (1250x500 mm) - GREY

All rights relating to this publication are the exclusive property of Tecnosystemi SpA.  
 Tecnosystemi SpA reserves the right to make changes at any time and without notice, for technical or commercial needs.