

Straight fitting for hose Ø16 - 18 - 20 - 22 - 25 - 32 - 40

- cod. SCD300008 - cod. SCD300009 - cod. SCD300010
- cod. SCD300015 - cod. SCD300011 - cod. SCD300012
- cod. SCD300013

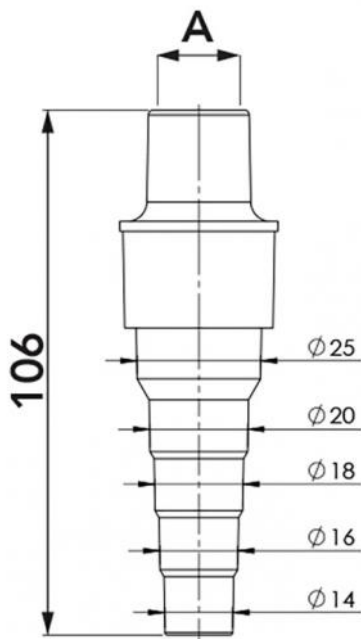
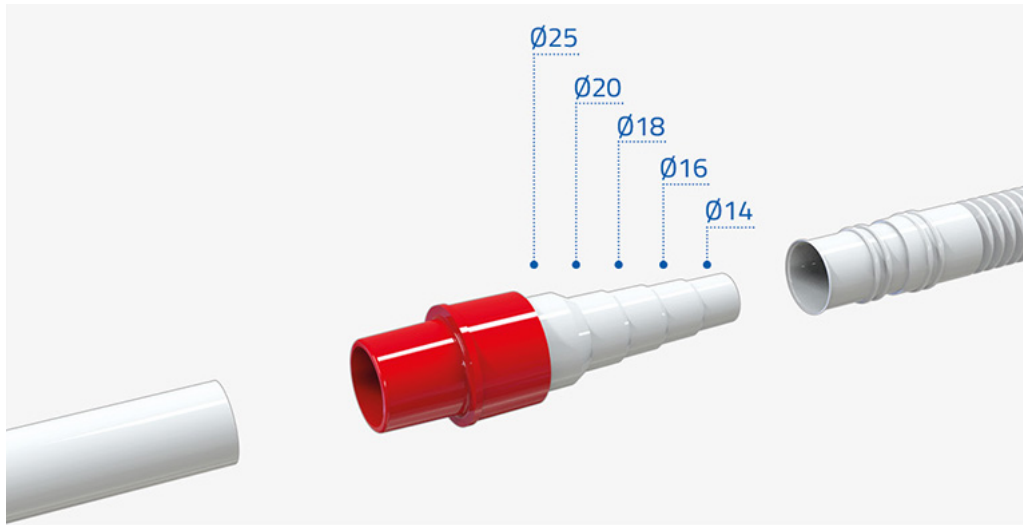


TECHNICAL SPECIFICATIONS:

Ideal for quick connections between rigid pipes and condensate drain flexible hoses, which have different diameters

- Available in 7 models
- Coloured soft coupling that ensures maximum seal
- UVA and impact-resistant rigid coupler with diameters Ø16 - 18 - 20 - 22 - 25 - 32 - 40 mm

EXAMPLE



DIMENSIONS

CODE	COLOUR	INSIDE Ø [mm]
SCD300008	YELLOW	16
SCD300009	RED	18
SCD300010	BLUE	20/21
SCD300015	ORANGE	22
SCD300011	GREEN	25
SCD300012	GREY	32
SCD300013	LIGHT BLUE	40

ITEMS

CODE	DESCRIPTION
SCD300008	STRAIGHT FITTINGS FOR HOSES Ø 16
SCD300009	STRAIGHT FITTINGS FOR HOSES Ø 18
SCD300010	STRAIGHT FITTINGS FOR HOSES Ø 20/21
SCD300015	STRAIGHT FITTINGS FOR HOSES Ø 22
SCD300011	STRAIGHT FITTINGS FOR HOSES Ø 25
SCD300012	STRAIGHT FITTINGS FOR HOSES Ø 32
SCD300013	STRAIGHT FITTINGS FOR HOSES Ø 40

All rights relating to this publication are the exclusive property of Tecnosystemi SpA.
 Tecnosystemi SpA reserves the right to make changes at any time and without notice, for technical or commercial needs.

