

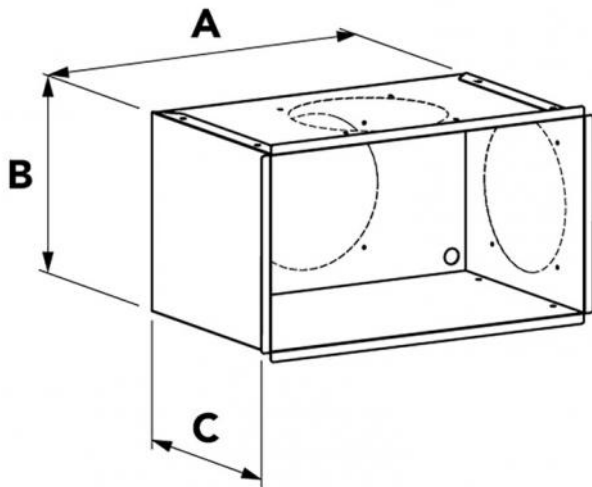
# Insulated plenum prepared for 3 inputs

- cod. PWD100003 - cod. PWD100004 - cod. PWD100006
- cod. PWD100009 - cod. PWD400080 - cod. PWD400081
- cod. PWD100005 - cod. PWD100001 - cod. PWD100010
- cod. PWD400222 - cod. PWD100007 - cod. PWD100008
- cod. PWD100002 - cod. PWD400311



## TECHNICAL SPECIFICATIONS:

- Made of galvanized metal sheet
- Closed-cell polyethylene outer coating
- Pre-cut holes (upper, lower, side)
- Collar for hose coupling supplied (in table list of possible combinations).



**DIMENSIONS:**

| CODE      | GRILLE DIMENSIONS [mm] | EXTERNAL DIMENSIONS PLENUM A x B [mm] | PLENUM DEPTH C [mm] | PRE-CUTTING HOLE SIZE [mm] | REAR COLLAR MODEL  | UPPER / LOWER COLLAR MODEL | SIDE COLLAR MODEL (R-L) |
|-----------|------------------------|---------------------------------------|---------------------|----------------------------|--------------------|----------------------------|-------------------------|
| PWD100003 | 232 x 132              | 210 x 110                             | 205                 | 150                        | C3 OVAL Ø 125-150  |                            |                         |
| PWD100004 | 332 x 132              | 310 x 110                             | 205                 | 150                        | C3 OVAL Ø 125-150  |                            |                         |
| PWD100006 | 432 x 132              | 410 x 110                             | 205                 | 150                        | C3 OVAL Ø 125-150  |                            |                         |
| PWD100009 | 532 x 132              | 510 x 110                             | 205                 | 150                        | C3 OVAL Ø 125-150  |                            |                         |
| PWD400080 | 632 x 132              | 610 x 110                             | 205                 | 150                        | C3 OVAL Ø 125-150  |                            |                         |
| PWD400081 | 1032 x 132             | 1010 x 110                            | 205                 | 150                        | C3 OVAL Ø 125-150  |                            |                         |
| PWD100005 | 332 x 182              | 310 x 160                             | 205                 | 150                        | E5 Ø 150           | E5 Ø150                    | E5 Ø 150                |
| PWD100001 | 432 x 182              | 410 x 160                             | 205                 | 150                        | E5 Ø 151           | E5 Ø150                    | E5 Ø 150                |
| PWD100010 | 532 x 182              | 510 x 160                             | 205                 | 150                        | N°2 x E5 Ø 150     | No.2 x E5 Ø150             | E5 Ø 150                |
| PWD400222 | 1032 x 182             | 1010 110                              | 205                 | 150                        | N°2 x E5 Ø 150     | No.2 x E5 Ø150             | E5 Ø 150                |
| PWD100007 | 332 x 232              | 310 x 210                             | 205                 | 200                        | B2 Ø 150-200       | B2 Ø150-200                | B2 Ø 150-200            |
| PWD100008 | 432 x 232              | 410 x 210                             | 205                 | 200                        | B2 Ø 150-200       | B2 Ø150-200                | B2 Ø 150-200            |
| PWD100002 | 532 x 232              | 510 x 210                             | 205                 | 200                        | No.2 x B2 Ø150-200 |                            | B2 Ø 150-200            |
| PWD400311 | 532 x 332              | 510 x 310                             | 205                 | 200                        | No.2 x B2 Ø150-200 |                            | B2 Ø 150-200            |

ITEMS

| CODE      | DESCRIPTION   |
|-----------|---|
| PWD100003 | INSULATED PLENUM WITH 3 INPUTS - COLLAR PROVIDED MOD. C3 Ø125-150 - 232x132 |
| PWD100004 | INSULATED PLENUM WITH 3 INPUTS - COLLAR PROVIDED MOD. C3 Ø125-150 - 332x132 |
| PWD100006 | INSULATED PLENUM WITH 3 INPUTS - COLLAR PROVIDED MOD. C3 Ø125-150 - 432x132 |
| PWD100009 | INSULATED PLENUM WITH 3 INPUTS - COLLAR PROVIDED MOD. C3 Ø125-150 - 532x132 |
| PWD400080 | INSULATED PLENUM WITH 3 INLETS FOR COLLARS MOD. C3 Ø125-150 - 632x132       |
| PWD400081 | INSULATED PLENUM WITH 3 INLETS FOR COLLARS MOD. C3 Ø125-150 - 1032x132      |
| PWD100005 | INSULATED PLENUM WITH 3 INPUTS - COLLAR PROVIDED MOD. E5 Ø150 - 332X182     |
| PWD100001 | INSULATED PLENUM WITH 3 INPUTS - COLLAR PROVIDED MOD. E5 Ø150 - 432x182     |
| PWD100010 | INSULATED PLENUM WITH 3 INPUTS - COLLAR PROVIDED MOD. E5 Ø150 - 532X182     |
| PWD400222 | INSULATED PLENUM FOR 3 INPUTS SET UP FOR COLLARS MOD. E5 Ø150 - 1032x182    |
| PWD100007 | INSULATED PLENUM WITH 3 INPUTS - COLLAR PROVIDED MOD. B2 Ø150-200 - 332x232 |
| PWD100008 | INSULATED PLENUM WITH 3 INPUTS - COLLAR PROVIDED MOD. B2 Ø150-200 - 432x232 |
| PWD100002 | INSULATED PLENUM WITH 3 INPUTS - COLLAR PROVIDED MOD. B2 Ø150-200 - 532x232 |
| PWD400311 | INSULATED PLENUM FOR 3 INPUTS SET UP FOR COLLARS MOD. B2 Ø150-200 - 532x332 |

All rights relating to this publication are the exclusive property of Tecnosystemi SpA.  
 Tecnosystemi SpA reserves the right to make changes at any time and without notice, for technical or commercial needs.