

MGF

Flexible sleeve - EXC

- cod. SCD100584 - cod. SCD100585 - cod. SCD100586
- cod. SCD100587 - cod. SCD100588 - cod. SCD100589

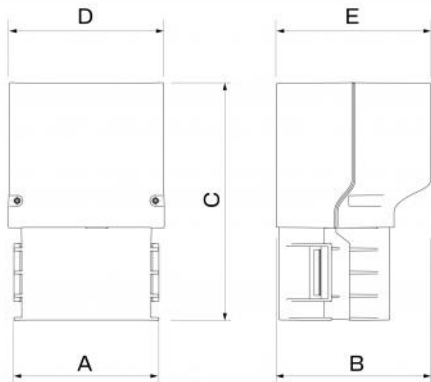


DESCRIPTION

The sleeve is made of PVC.

The sleeve is made with a transverse opening so that it can be installed when the connection pipes to the external units are already connected.

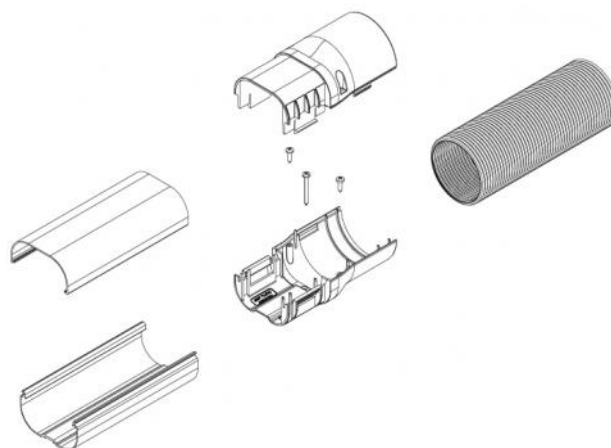
The sleeve allows EXCELLENS ducts and flexible hose to be connected to each other.



DIMENSIONS

CODE	MODEL	A [mm]	B [mm]	C [mm]	D [mm]	E [mm]
SCD100584	MGF 60 WHITE	68	61	133		73
SCD100585	MGF 60 BLACK	68	61	133		73
SCD100586	MGF 60 GREY	68	61	133		73
SCD100587	MGF 80 WHITE	91	69	149		96
SCD100588	MGF 80 BLACK	91	69	149		96
SCD100589	MGF 80 GREY	91	69	149		96

EXAMPLE OF INSTALLATION:



ITEMS

CODE	DESCRIPTION
SCD100584	MGF - CONNECTION SLEEVE FOR EXCELLENS EXCELLENS MGF 72-EXC PVC WHITE - MGF 72-WHITE
SCD100585	MGF - CONNECTION SLEEVE FOR EXCELLENS EXCELLENS MGF 72-EXC PVC BLACK - MGF 72-BLACK
SCD100586	MGF - CONNECTION SLEEVE FOR EXCELLENS EXCELLENS MGF 72-EXC PVC GREY - MGF 72-GREY
SCD100587	MGF - CONNECTION SLEEVE FOR EXCELLENS EXCELLENS MGF 100-EXC PVC WHITE - MGF 100-WHITE
SCD100588	MGF - CONNECTION SLEEVE FOR EXCELLENS EXCELLENS MGF 100-EXC PVC BLACK - MGF 100-BLACK
SCD100589	MGF - CONNECTION SLEEVE FOR EXCELLENS EXCELLENS MGF 100-EXC PVC GREY - MGF 100-GREY

All rights relating to this publication are the exclusive property of Tecnosystemi SpA.
Tecnosystemi SpA reserves the right to make changes at any time and without notice, for technical or commercial needs.

