

GENIUS 1000R HIGH ARTICULATED

black low-height floor-standing foot

- cod. SCD500180 - cod. SCD500181

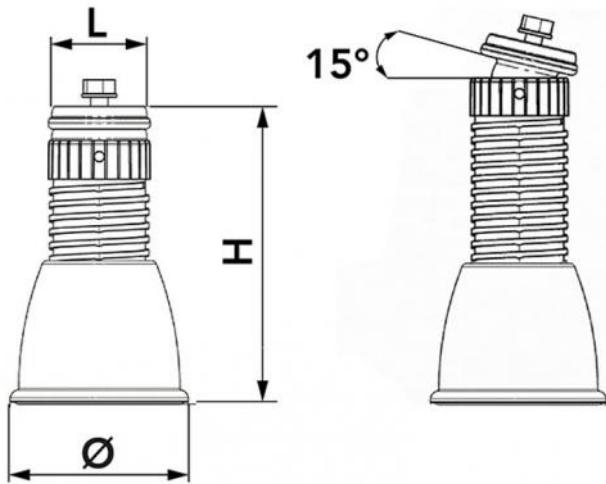


DESCRIPTION:

- The “genius high articulated” floor support is made of material with high mechanical strength.
- Height-adjustable ring nut, it is equipped with double vibration damping and is suitable for all types of air conditioners or floor boilers.

TECHNICAL SPECIFICATIONS:

- Material: glass-filled nylon
- Double anti-vibration damper supplied
- High mechanical strength
- Height adjustment ring nut from 123 to 176 mm
- Fastening with M10 x 30 screws
- Non-slip knurling adjustment
- Load capacity up to 500 kg



DIMENSIONS

CODE	L [mm]	H [mm]	Ø [mm]
SCD500180	60	123-176	105
SCD500181	60	123-176	105

ITEMS

CODE	DESCRIPTION
SCD500180	ADJUSTABLE AND ARTICULATED FOOT MOUNT "GENIUS 1000R" SHORT - BLACK
SCD500181	ADJUSTABLE AND ARTICULATED FOOT MOUNT "GENIUS 1000R" - IVORY

All rights relating to this publication are the exclusive property of Tecnosystemi SpA.
 Tecnosystemi SpA reserves the right to make changes at any time and without notice, for technical or commercial needs.

