

HS

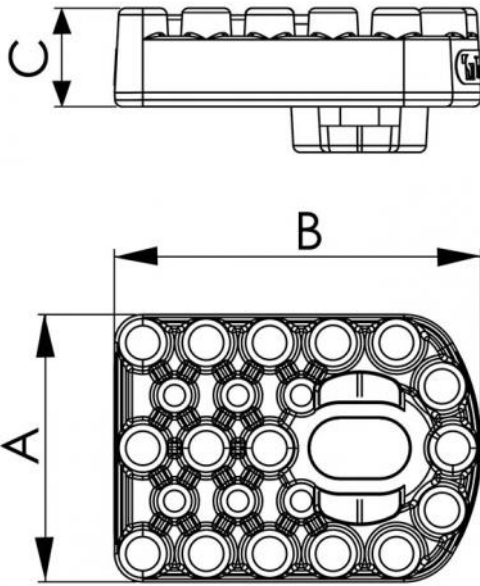
vibration damping kit for brackets and floor bases

- cod. SCD500159



TECHNICAL SPECIFICATIONS:

- Made of soft, UVA-resistant PVC
- Vibration damper, "Soft" model, 50 shore, light grey
- Vibration damper, "Hard" model, 70 shore, dark grey
- Includes all screws



DIMENSIONS

CODE	A [mm]	B [mm]	C [mm]
SCD500159	38	52	14

EXAMPLE OF ASSEMBLY



ITEMS

CODE	DESCRIPTION
SCD500159	"NO-SHOCK" ANTI-VIBRATION KIT FOR BRACKETS (1 SET OF 4 PCS)

All rights relating to this publication are the exclusive property of Tecnosystemi SpA.
 Tecnosystemi SpA reserves the right to make changes at any time and without notice, for technical or commercial needs.