

# HDPH145

insulating and ventilating spacer for profiles FVP-400/300/100"

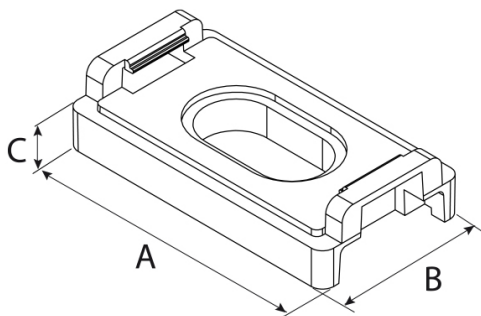
- cod. 11111036 - cod. 11111036BOX



## TECHNICAL SPECIFICATIONS:

- Material: Anti-UVA PA
- Excellent insulation between profile and support against galvanic currents
- Ideal for lifting of the profile and allowing the drainage of rainwater
- Possibility to overlap the spacers to increase the space
- Double fastening with screws, self-tapping Ø5 or M8
- Recommended for raising the profile and removing the ventilation of the photovoltaic panels

## TECHNICAL DRAWING:



## FULL SIZED:

CODE	A [mm]	B [mm]	C [mm]
11111036	50	30	7
11111036BOX	50	30	7

## ITEMS

CODE	DESCRIPTION
11111036	PLUG FOR PROFILE FVP-400/300/100
11111036BOX	PLUG FOR PROFILE FVP-400/300/100 - BOX 100 pcs

All rights relating to this publication are the exclusive property of Tecnosystemi SpA.

Tecnosystemi SpA reserves the right to make changes at any time and without notice, for technical or commercial needs.