

# HSPI

fixing wall bracket for integrated profiles FVP-300

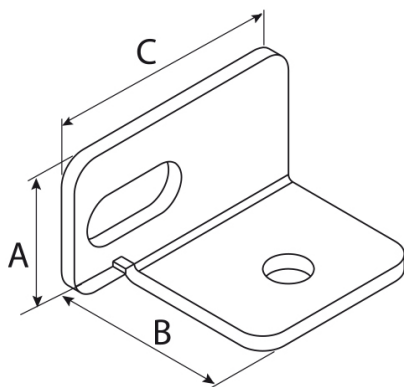
- cod. 11110731 - cod. 11110731BOX - cod. 11110732
- cod. 11110732BOX



## TECHNICAL SPECIFICATIONS:

- Material: AISI 304 stainless steel
- Ideal for lifting of the profile and allowing the drainage of rainwater
- Recommended for raising the profile and removing the ventilation of the photovoltaic panels

## TECHNICAL DRAWING:



## FULL SIZED:

CODE	A [mm]	B [mm]	C [mm]	Ø FORO [mm]
11110731	30	33	50	8,5
11110731BOX	30	33	50	8,5
11110732	55	33	50	8,5
11110732BOX	55	33	50	8,5

## ITEMS

CODE	DESCRIPTION
11110731	FIXING BRACKET FOR PROFILES HSPI
11110731BOX	FIXING BRACKET FOR PROFILES HSPI - BOX 30 pcs
11110732	FIXING BRACKET FOR PROFILES HSAPI
11110732BOX	FIXING BRACKET FOR PROFILES HSAPI - BOX 30 pcs

All rights relating to this publication are the exclusive property of Tecnosystemi SpA.

Tecnosystemi SpA reserves the right to make changes at any time and without notice, for technical or commercial needs.