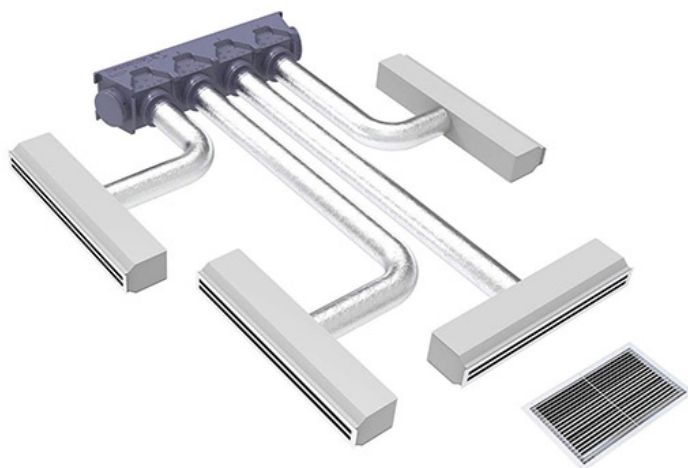
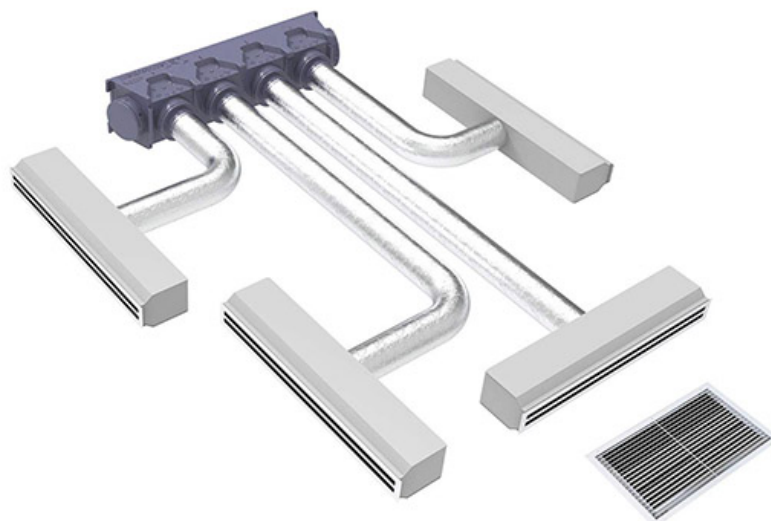


EOLO MINI Ø150

KIT SVELTO LAM Ø 150 and linear diffusers L 1000 - 2 slots



DESCRIPTION

The “Svelto Kit” is the complete solution for air distribution for ducted units: it contains all the necessary accessories to correctly channel the air produced by the indoor unit to distribute it optimally in each room.

Having chosen the brand and model of the ducted machine, simply choose the grille or the diffuser and finally the

plenum.

Possibility of customisation on request.

THE KIT CONSISTS OF:

- 1 custom sintered polystyrene plenum for indoor units
- Collars integrated into plenum (quantity depending on zones)
- Linear diffusers with damper 2 slots in white painted aluminium L 1000 - cod. PWC300021 (amount depending on zone)
- Universal insulated plenums for linear diffusers L 1000 mm - code. PWD400329 (amount depending on zone)
- Flexible insulated aluminium double-walled hose: 10 m Ø 150 code 11152152
- 1 white aluminium intake grille, installation hole 600 x 400 mm outer dimensions 632 x 432 mm with filter 600 x 400 mm, cod. WB11161525
- Hose clamps (quantity depending on zone)

All rights relating to this publication are the exclusive property of Tecnosystemi SpA.
Tecnosystemi SpA reserves the right to make changes at any time and without notice, for technical or commercial needs.