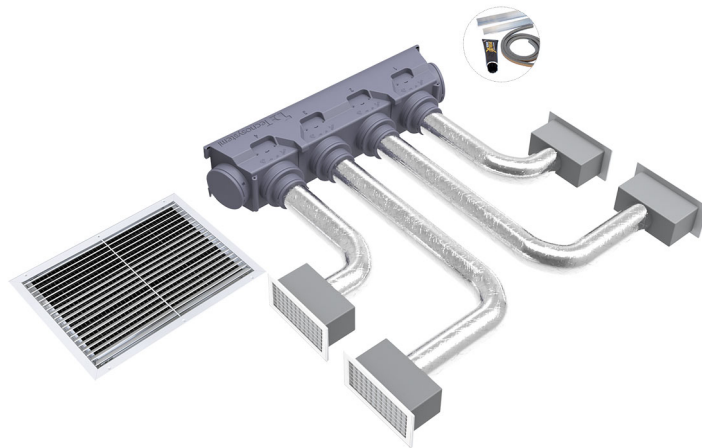


KIT SVELTO EOLO UNIVERSAL - 4 zones with EOLO B4 plenum

- cod. PWD300196



DESCRIPTION

The "Eolo Universal Svelto (Quick) Kits" contain all the necessary accessories (polystyrene "Universal" plenum, calibration dampers, grilles, pipes, collars, cable ties, plenums and for grilles, aluminium profiles for flanges), to channel the air produced by the indoor unit correctly and distribute it optimally to each individual room, with the possibility of adjusting and orienting the air flow thanks to the calibration dampers and the adjustable flaps of the grilles.

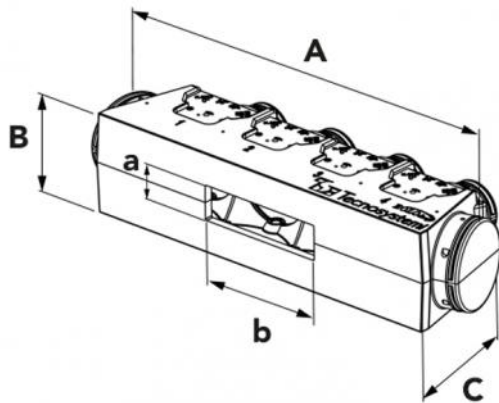
It thus allows you to have the maximum yield and the best comfort in homes or offices.

Thanks to the new universal sintered polystyrene plenum, the installer will only have to cut the plenum with an alternative saw or hot wire blade to the desired size, based on the delivery mouth of the ducted machine to be installed, cut the aluminium profiles to the flange size, glue them with the supplied glue and insert the gasket (accessories present in the kit).

The "Eolo Universal Svelto (Quick) Kits" are available in 2 - 3 - 4 - 5 zones with the possibility of customisation on request.

KIT INCLUDES:

- 1 polystyrene plenum kit EOLO B4 UNIVERSAL (L 1261 x H 284 D 348) (PWD400032)
- 4 white painted aluminium delivery grilles, installation hole 300 x 150 outer size 332 x 182 (COD. WB11161512)
- 4 insulated plenums with 3 inlets for collars mod. E5 150 - 332 x 182 (PWD100005)
- 4 calibration dampers for 332 x 182 grilles (COD. W11161568)
- 1 double-wall aluminium flexible hose Ø 152 - m 10 (cod. 11152152)
- 1 intake grille with filter in white painted aluminium - installation hole 600 x 400 outer size 632 x 432 (cod. WB11161525)
- 8 Hose clamps 140 - 160 mm (COD. 22200152)
- Customisable on request



DIMENSIONS

| CODE | PLENUM MODEL | FIXED EXTERNAL WIDTH A [mm] | FIXED EXTERNAL HEIGHT B [mm] | FIXED EXTERNAL DEPTH C [mm] | MAX INTERNAL PLENUM HEIGHT a [mm] | MAX INTERNAL PLENUM WIDTH b [mm] |
|-----------|-------------------|-----------------------------|------------------------------|-----------------------------|-----------------------------------|----------------------------------|
| PWD300196 | EOLO B4 UNIVERSAL | 1261 | 284 | 348 | up to 235 | up to 1060 |

ITEMS

| CODE | DESCRIPTION |
|-----------|--|
| PWD300196 | "KIT FOR THE AIR DISTRIBUTION WITH PLENUM "EOLO B4"" - 4 ZONE" |

All rights relating to this publication are the exclusive property of Tecnosystemi SpA.
 Tecnosystemi SpA reserves the right to make changes at any time and without notice, for technical or commercial needs.