

# Linear intake diffuser in anti-condensation PVC - 3 slots

- cod. PWD301492 - cod. PWD301501 - cod. PWD301510  
- cod. PWD301519 - cod. PWD301528



## DESCRIPTION

Visible linear intake diffuser in anti-condensate PVC with 3 slots, white.

Diffusers are used in places where the ceiling design has to be assured, such as offices, meeting rooms and hotels, ensuring uniform air diffusion and high thermal induction.

In contrast to aluminium, due to its physical characteristics PVC does not produce condensate; this avoids the formation of fungi, mould and bacteria inside the diffuser and ensures excellent wall insulation.

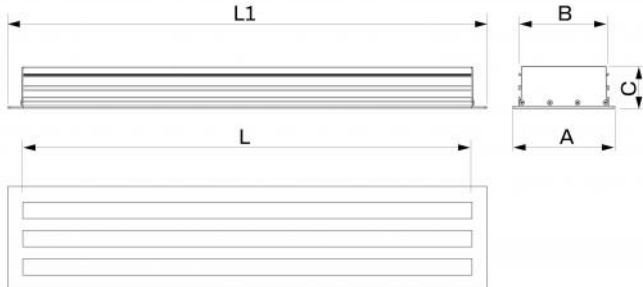
It is fixed to the plenum, which can be purchased separately, using front screws and mobile C brackets.

## APPLICATIONS

Diffuser ideal for wall or ceiling installations in intake ONLY.

## ACCESSORIES

- Plenum in insulated galvanised metal sheet, can be purchased separately.
- Continuity kit, can be purchased separately.



## DIMENSIONS

CODE	L [mm]	L1 [mm]	A [mm]	B [mm]	C [mm]
PWD301492	600	645	144	127	60
PWD301501	800	845	144	127	60
PWD301510	1000	1045	144	127	60
PWD301519	1500	1545	144	127	60
PWD301528	2000	2045	144	127	60

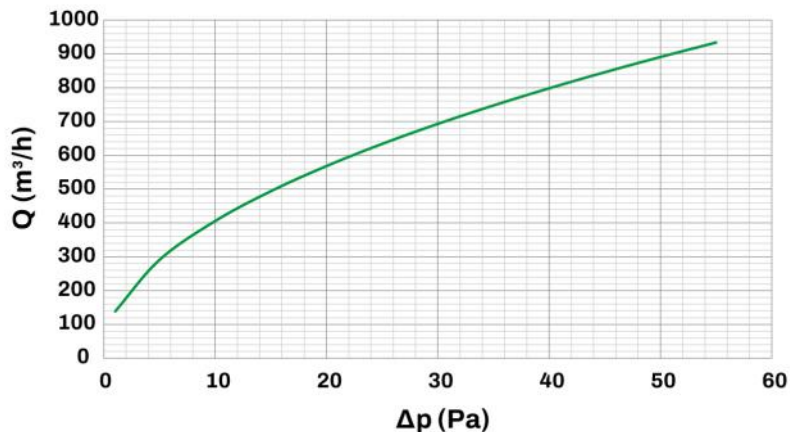
## INFORMATION

Measures are indicated in millimetres (mm), unless otherwise specified.

## TECHNICAL DATA

TECHNICAL SPECIFICATIONS	
Material:	Anti-condensate PVC
Colour:	White
Flammability rating:	V0
Operating temperature	-30°C ... +60°C

## LOAD CAPACITY AND PRESSURE DROP CURVES 3 SLOTS

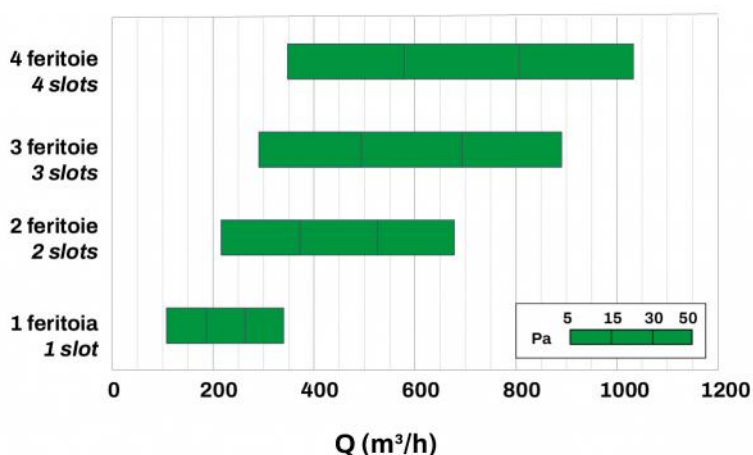


Ak [m²]	Qv min [m³/h]	Qv max [m³/h]	Lwa min [dB(A)]	Lwa max [dB(A)]	DP min [Pa]	DP max [Pa]
0.063	405	890	34	48	10	50

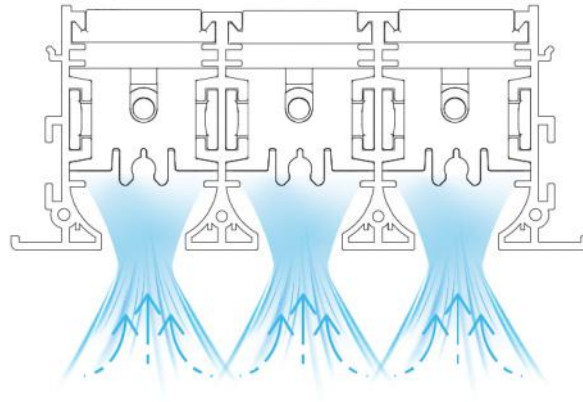
### INFORMATION

The table data refer to 1000 mm long visible linear diffusers

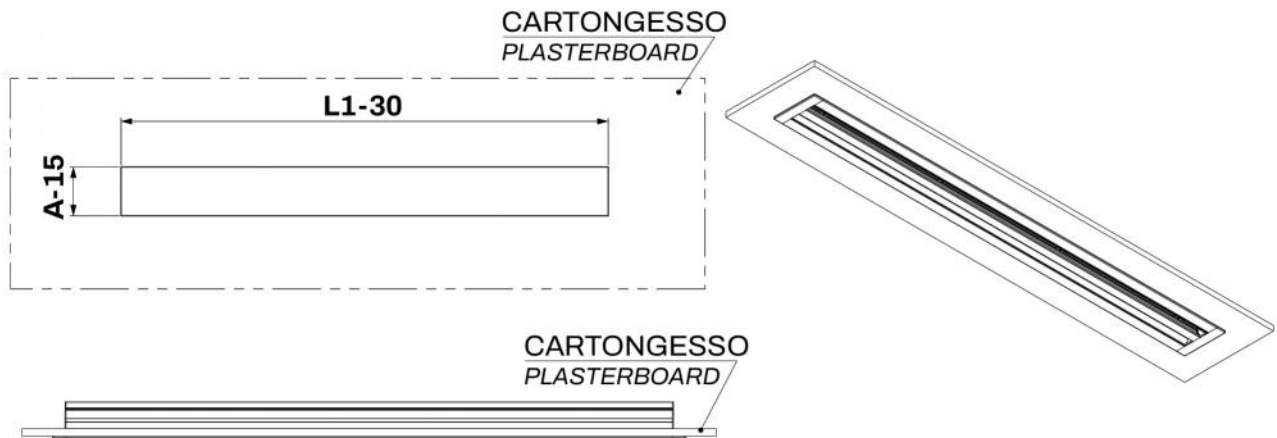
### SHORTCUT DIAGRAM



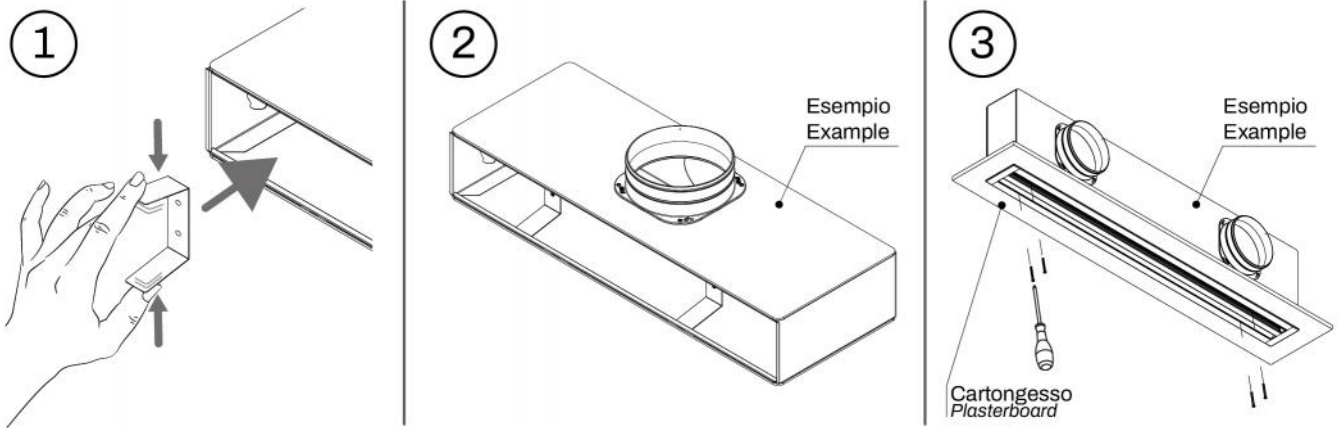
## EXAMPLE OF OPERATION



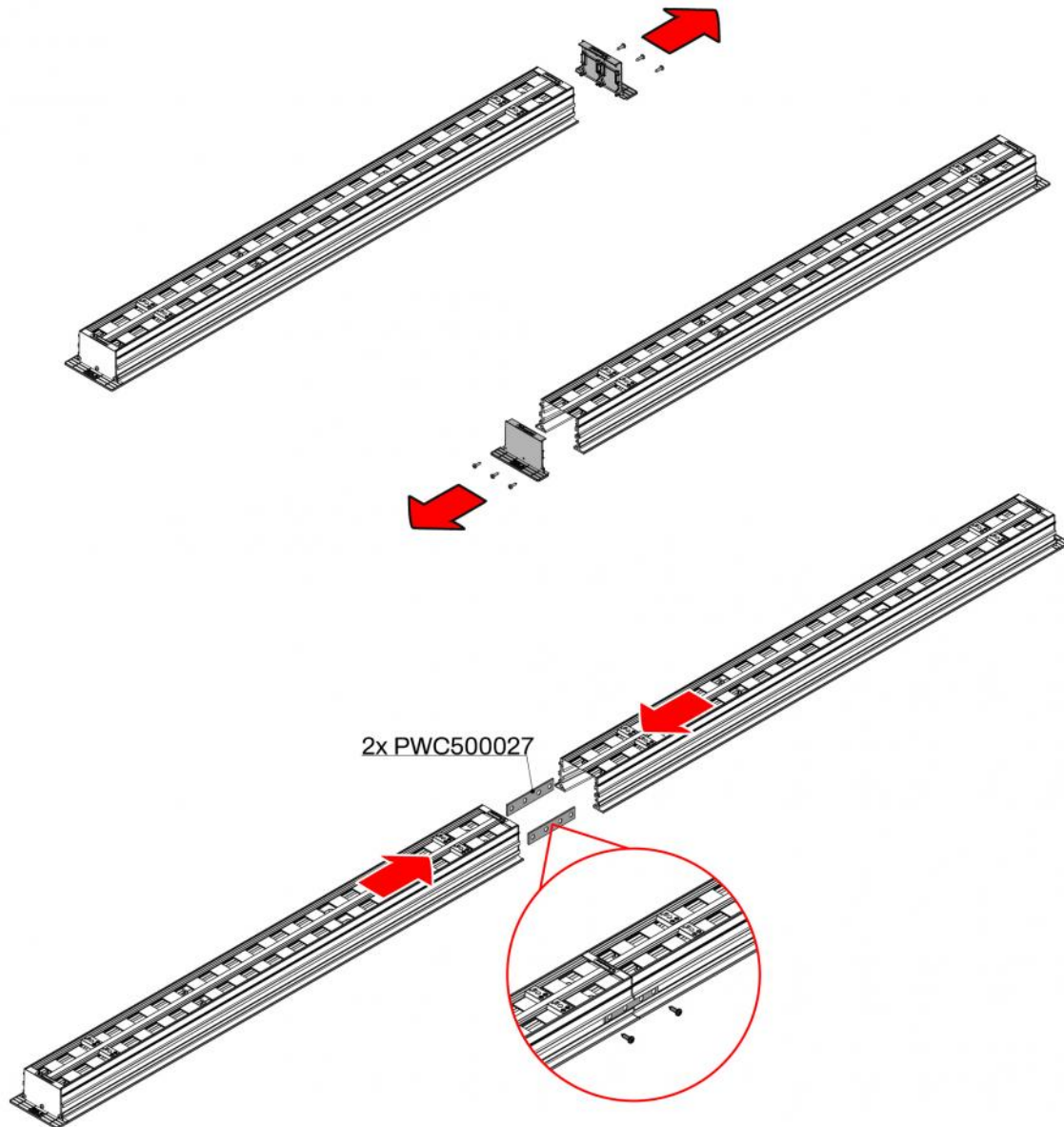
## BUILT-IN INSTALLATION BOX FOR WALLS



EXAMPLE OF INSTALLATION:



## EXAMPLE OF CONTINUITY KIT FIXING



**ITEMS**

CODE	DESCRIPTION
PWD301492	RETURN LINEAR DIFFUSOR IN ANTI-CONDENSING PVC 3 SLOTS L600mm WHITE
PWD301501	RETURN LINEAR DIFFUSOR IN ANTI-CONDENSING PVC 3 SLOTS L800mm WHITE
PWD301510	RETURN LINEAR DIFFUSOR IN ANTI-CONDENSING PVC 3 SLOTS L1000mm WHITE
PWD301519	RETURN LINEAR DIFFUSOR IN ANTI-CONDENSING PVC 3 SLOTS L1500mm WHITE
PWD301528	RETURN LINEAR DIFFUSOR IN ANTI-CONDENSING PVC 3 SLOTS L2000mm WHITE

All rights relating to this publication are the exclusive property of Tecnosystemi SpA.  
 Tecnosystemi SpA reserves the right to make changes at any time and without notice, for technical or commercial needs.