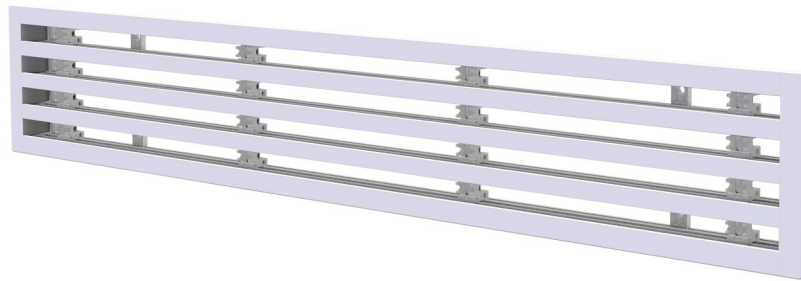


# Linear intake diffuser in anti-condensation PVC - 4 slots

- cod. PWD301661 - cod. PWD301664 - cod. PWD301667  
- cod. PWD301670 - cod. PWD301673



## DESCRIPTION

Visible linear intake diffuser in anti-condensate PVC with 4 slots, white.

Diffusers are used in places where the ceiling design has to be assured, such as offices, meeting rooms and hotels, ensuring uniform air diffusion and high thermal induction.

In contrast to aluminium, due to its physical characteristics PVC does not produce condensate; this avoids the formation of fungi, mould and bacteria inside the diffuser and ensures excellent wall insulation.

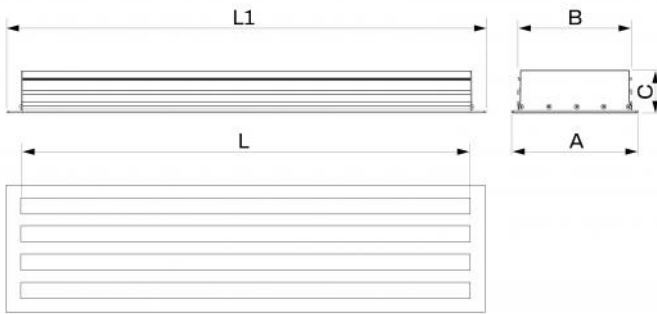
It is fixed to the plenum, which can be purchased separately, using front screws and mobile C brackets.

## APPLICATIONS

Diffuser ideal for wall or ceiling installations in intake ONLY.

## ACCESSORIES

- Plenum in insulated galvanised metal sheet, can be purchased separately.
- Continuity kit, can be purchased separately.



## DIMENSIONS

CODE	L [mm]	L1 [mm]	A [mm]	B [mm]	C [mm]
PWD301661	600	645	183	166	60
PWD301664	800	845	183	166	60
PWD301667	1000	1045	183	166	60
PWD301670	1500	1545	183	166	60
PWD301673	2000	2045	183	166	60

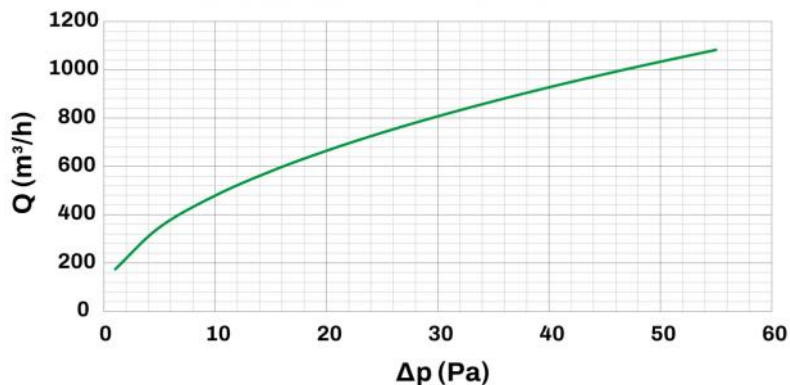
## INFORMATION

Measures are indicated in millimetres (mm), unless otherwise specified.

## TECHNICAL DATA

TECHNICAL SPECIFICATIONS	
Material:	Anti-condensate PVC
Colour:	White
Flammability rating:	V0
Operating temperature	-30°C ... +60°C

## LOAD CAPACITY AND PRESSURE DROP CURVES 4 SLOTS

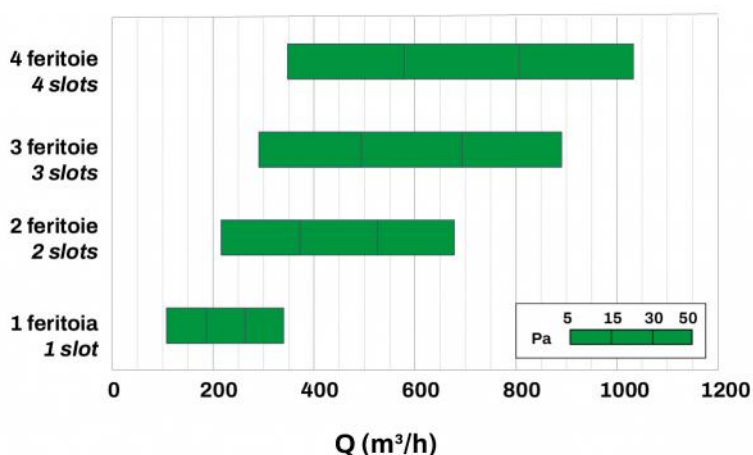


Ak [m²]	Qv min [m³/h]	Qv max [m³/h]	Lwa min [dB(A)]	Lwa max [dB(A)]	DP min [Pa]	DP max [Pa]
0.084	480	1035	35	49	10	50

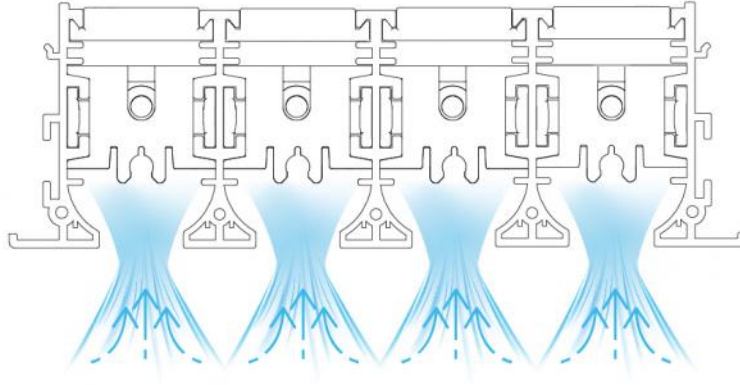
### INFORMATION

The table data refer to 1000 mm long visible linear diffusers

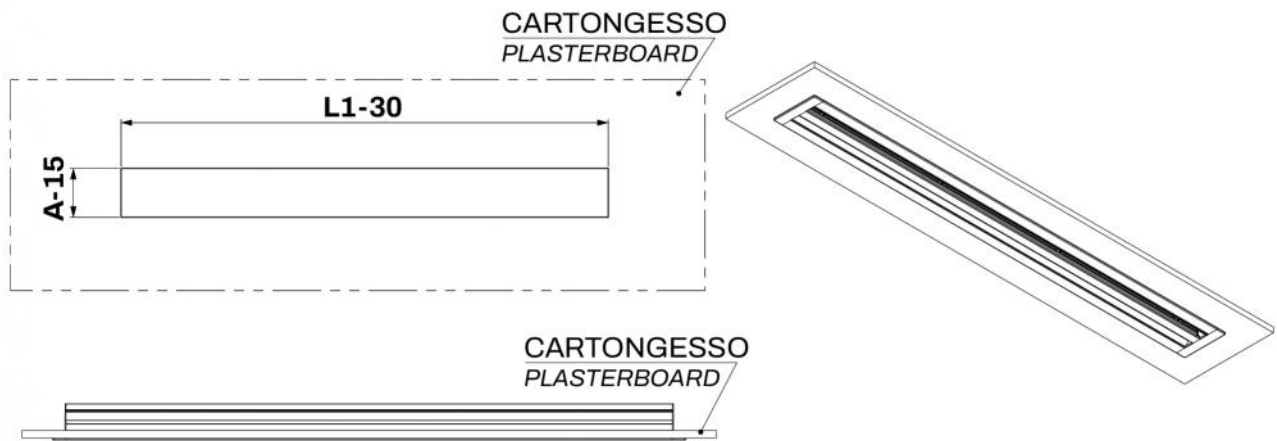
### SHORTCUT DIAGRAM



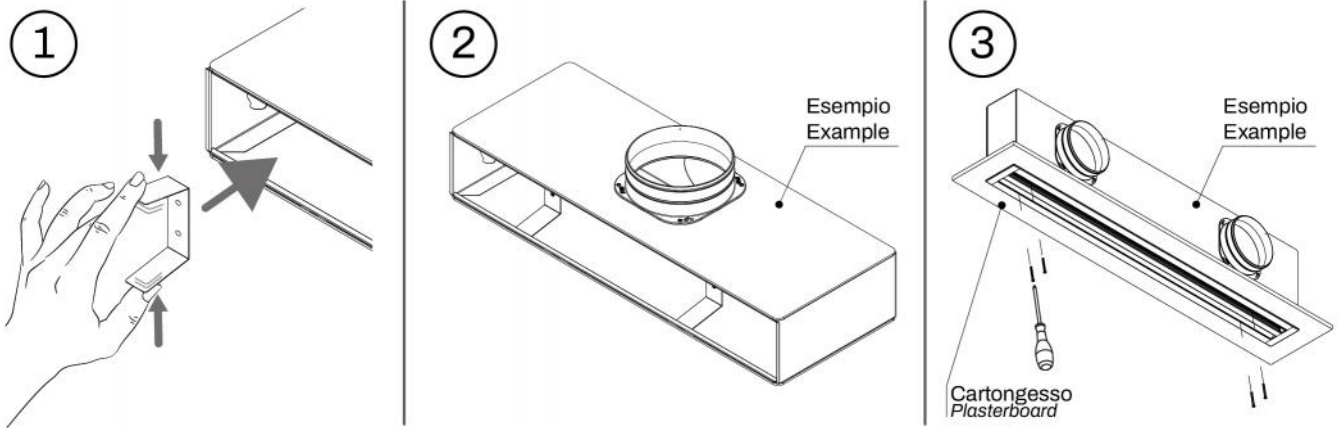
## EXAMPLE OF OPERATION



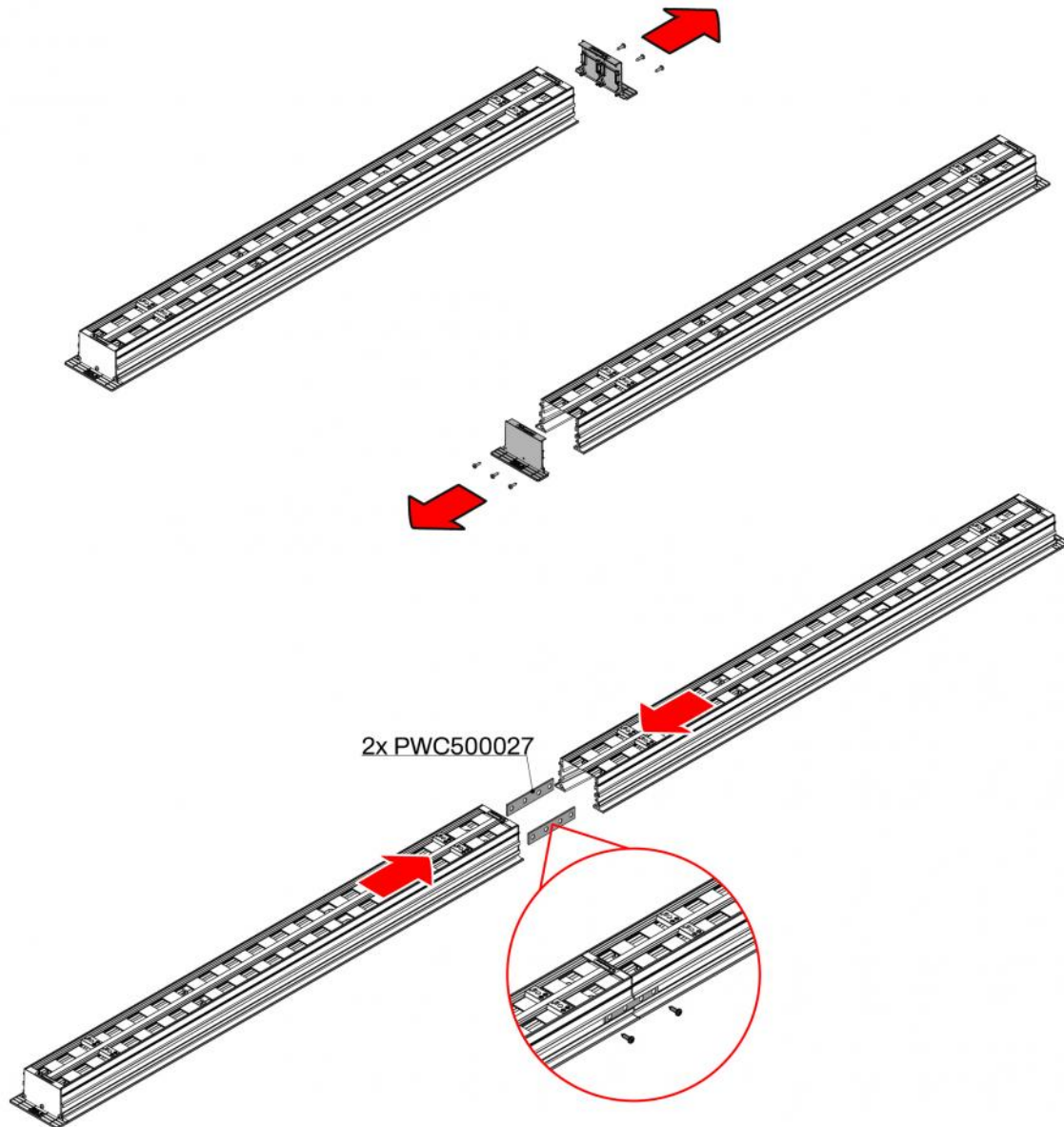
## BUILT-IN INSTALLATION BOX FOR WALLS



**EXAMPLE OF INSTALLATION:**



## EXAMPLE OF CONTINUITY KIT FIXING



**ITEMS**

CODE	DESCRIPTION
PWD301661	LINEAR RETURN DIFFUSER IN ANTIC-CONDENSING PVC 4 SLOTS L600mm WHITE
PWD301664	LINEAR RETURN DIFFUSER IN ANTIC-CONDENSING PVC 4 SLOTS L800mm WHITE
PWD301667	LINEAR RETURN DIFFUSER IN ANTIC-CONDENSING PVC 4 SLOTS L1000mm WHITE
PWD301670	LINEAR RETURN DIFFUSER IN ANTIC-CONDENSING PVC 4 SLOTS L1500mm WHITE
PWD301673	LINEAR RETURN DIFFUSER IN ANTIC-CONDENSING PVC 4 SLOTS L2000mm WHITE

All rights relating to this publication are the exclusive property of Tecnosystemi SpA.  
 Tecnosystemi SpA reserves the right to make changes at any time and without notice, for technical or commercial needs.