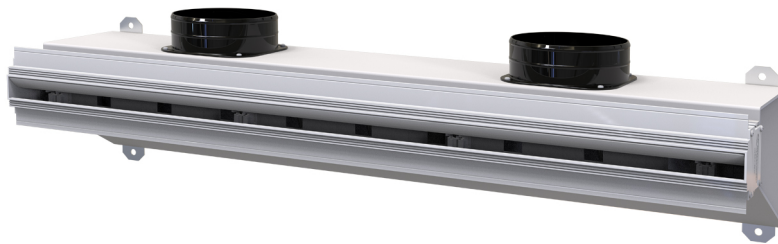


Linear retracting diffuser in anti-condensate PVC with damper, insulated plenum and central baffle

- cod. PWD301412 - cod. PWD301413 - cod. PWD301420
- cod. PWD301421 - cod. PWD301428 - cod. PWD301429
- cod. PWD301436 - cod. PWD301437 - cod. PWD301444
- cod. PWD301445 - cod. PWD301452 - cod. PWD301453
- cod. PWD301460 - cod. PWD301461 - cod. PWD301468
- cod. PWD301469 - cod. PWD301476 - cod. PWD301477
- cod. PWD301484 - cod. PWD301485



DESCRIPTION

Linear retracting diffuser in anti-condensate PVC with damper, insulated plenum and central baffle.

Available with 20 or 30 mm slot in black or white.

With a unique, original design, the plenum is made of galvanised metal sheet coated with closed-cell polyethylene.

This retracting linear diffuser combines design and function, blending perfectly into any room, with uniform air diffusion and high thermal induction.

This innovative diffuser is made from PVC which, in contrast to aluminium, due to its physical characteristics does not produce condensate; this avoids the formation of fungi, mould and bacteria inside the diffuser and ensures excellent wall insulation.

The inlet collars are included in the pack and must be assembled according to installation needs.

The plenum has other built-in installation boxes for additional ducts and VMC ducts, break as needed.

The damper is used to control the required amount of air and can be calibrated using a screwdriver.

Housings are obtained from inside the profiles to enable the mounting of the central adjustable PVC baffle.

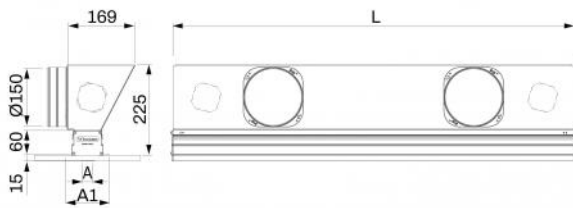
By changing the central baffle direction it is possible to deliver the air flow according to the place of installation, if necessary obtaining a Coanda effect.

APPLICATIONS

Diffuser ideal for wall or ceiling installations, in both delivery and intake, at a height between 2.5 m and 3.1 m.

ACCESSORIES

- False ceiling brackets, included.
- Continuity kit, can be purchased separately.



DIMENSIONS

CODE	L [mm]	A [mm]	A1 [mm]	COUPLING Ø150
PWD301412	600	20	100	1
PWD301413	600	20	100	1
PWD301420	600	30	110	1
PWD301421	600	30	110	1
PWD301428	800	20	100	2
PWD301429	800	20	100	2
PWD301436	800	30	110	2
PWD301437	800	30	110	2
PWD301444	1000	20	100	2
PWD301445	1000	20	100	2
PWD301452	1000	30	110	2
PWD301453	1000	30	110	2
PWD301460	1500	20	100	3
PWD301461	1500	20	100	3
PWD301468	1500	30	110	3
PWD301469	1500	30	110	3
PWD301476	2000	20	100	4
PWD301477	2000	20	100	4
PWD301484	2000	30	110	4
PWD301485	2000	30	110	4

INFORMATION

Measures are indicated in millimetres (mm), unless otherwise specified.

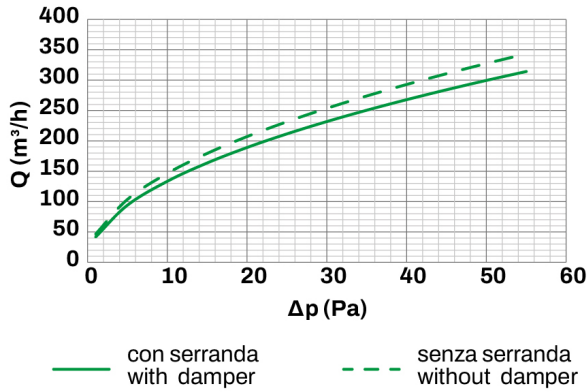
The plasterboard thickness calculated for these configurations is 12.5 mm (not included in the supply).

TECHNICAL DATA

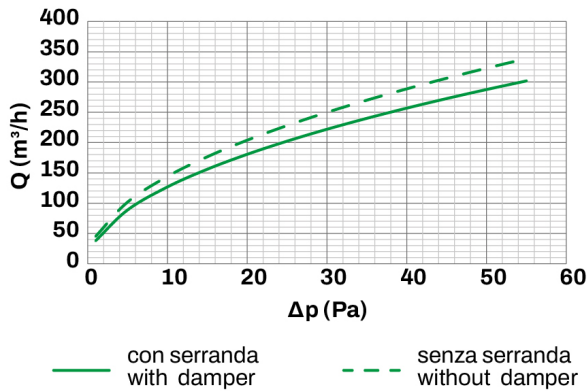
DIFFUSER	TECHNICAL SPECIFICATIONS
Material:	Anti-condensate PVC
Colour:	White / Black
Flammability rating:	V0
Operating temperature	-30°C ... +60°C

LOAD CAPACITY AND PRESSURE DROP CURVES

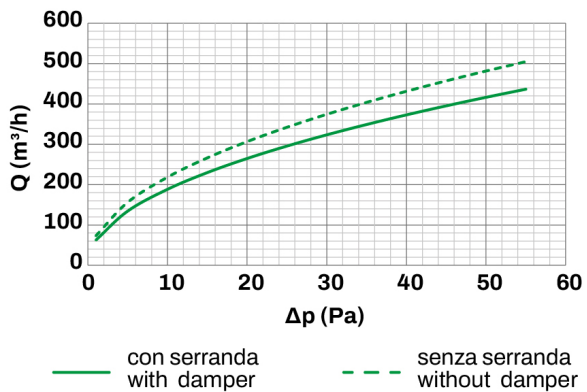
20 mm slot with or without damper, vertical baffle



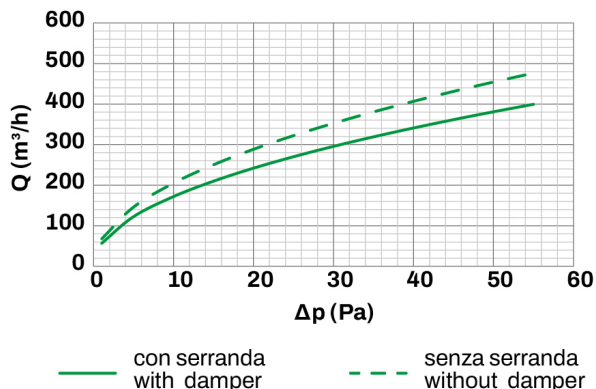
20 mm slot with or without damper, tilted baffle



30 mm slot with or without damper, vertical baffle



30 mm slot with or without damper, tilted baffle

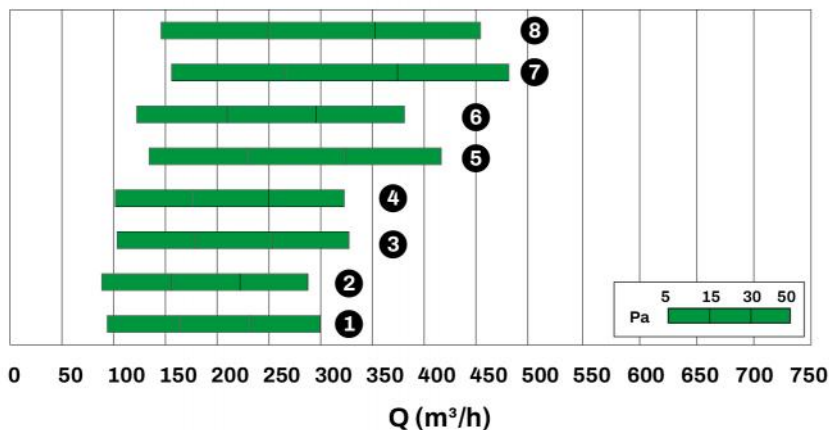


MODEL	Ak [m²]	Qv min [m³/h]	Qv max [m³/h]	Lwa min [dB(A)]	Lwa max [dB(A)]	DP min [Pa]	DP max [Pa]
SLOT 20	0.02	135	300	34	48	10	50
SLOT 30	0.03	190	415	36	50	10	50

INFORMATION

The data in the table refers to 1000 mm long linear retracting diffusers, with fully open damper and vertical baffle.

SHORTCUT DIAGRAM



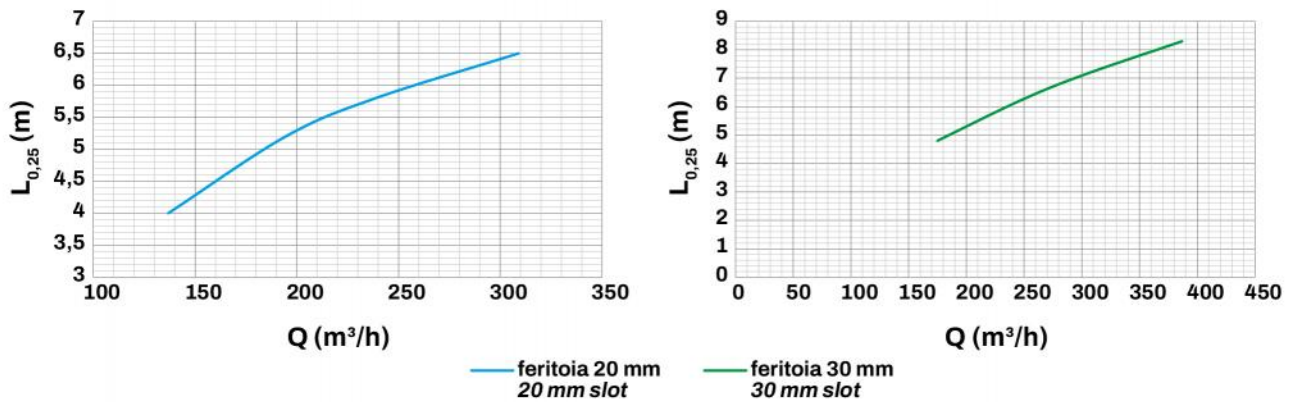
- [1] 20 mm slot with damper, vertical baffle
- [2] 20 mm slot with damper, tilted baffle
- [3] 20 mm slot without damper, vertical baffle
- [4] 20 mm slot without damper, tilted baffle
- [5] 30 mm slot with damper, vertical baffle

- [6] 30 mm slot with damper, tilted baffle
- [7] 30 mm slot without damper, vertical baffle
- [8] 30 mm slot without damper, tilted baffle

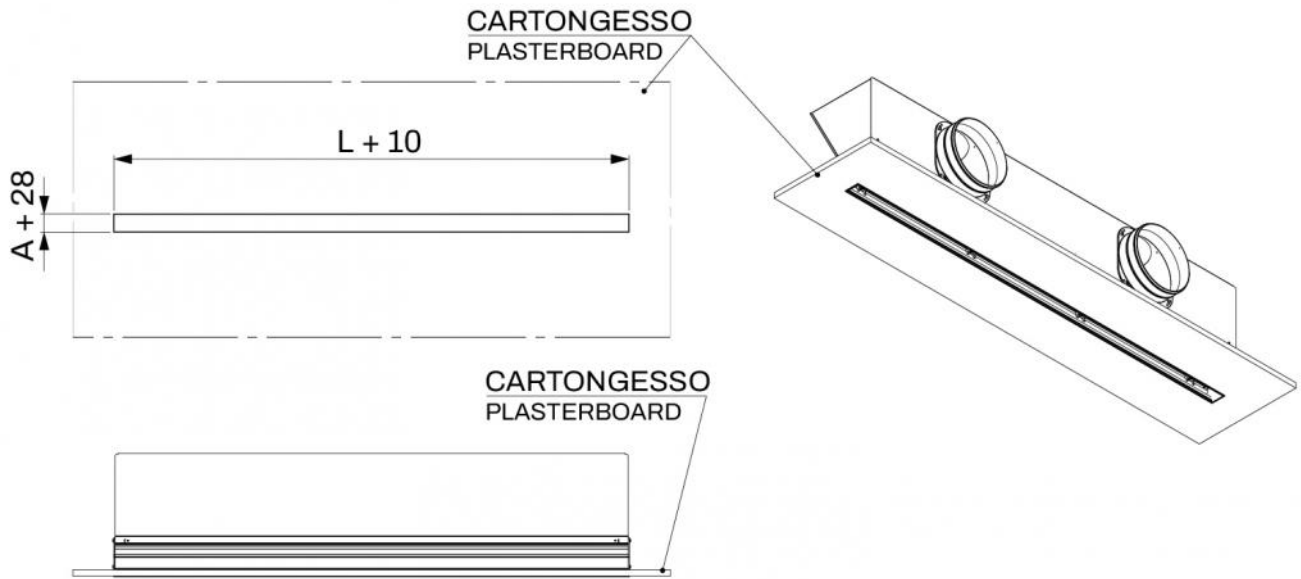
EXAMPLE OF FLOW



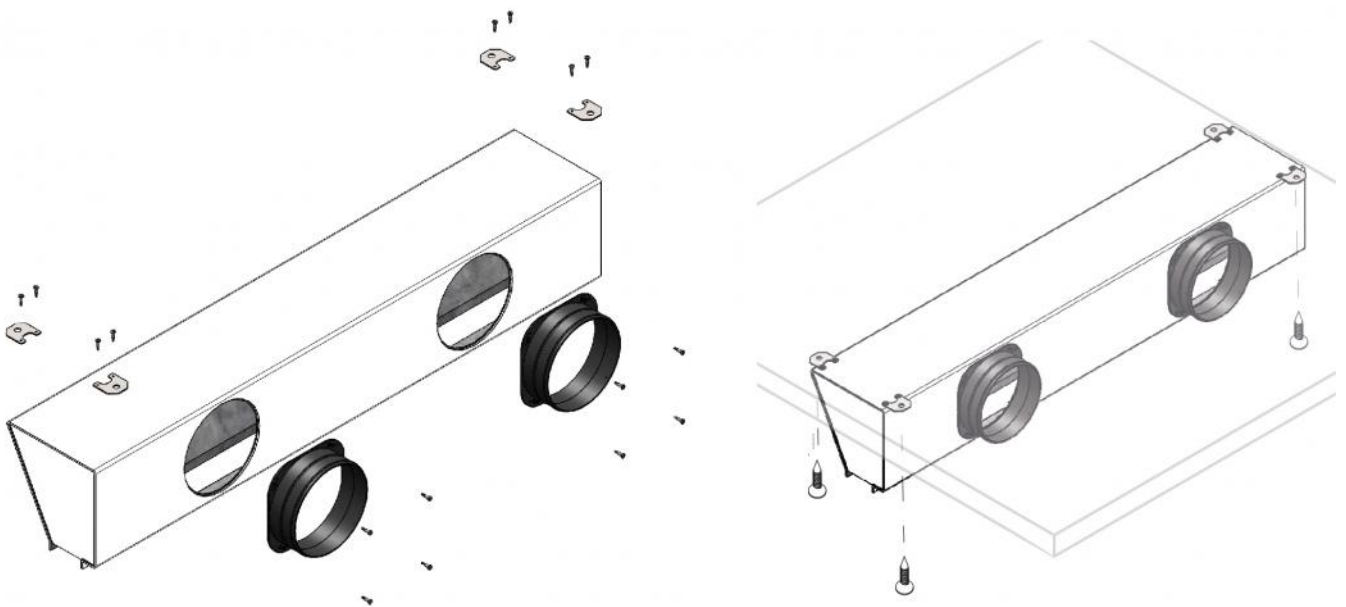
HORIZONTAL FLOW CHART WITH TILTED BAFFLE

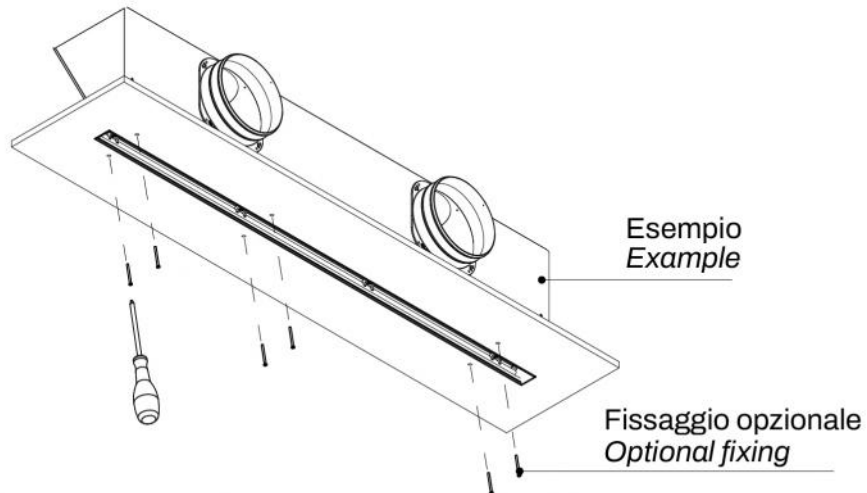


BUILT-IN INSTALLATION BOX FOR WALLS

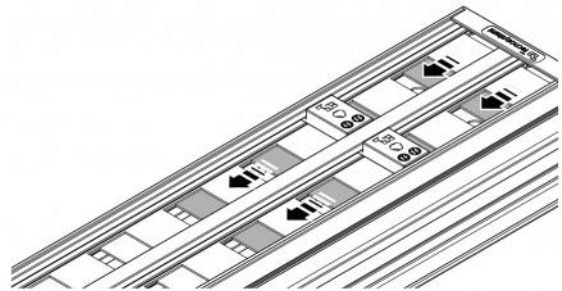
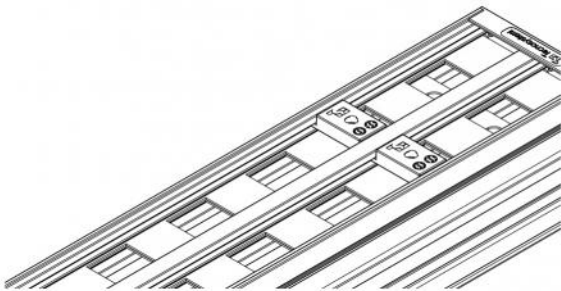


EXAMPLE OF INSTALLATION:

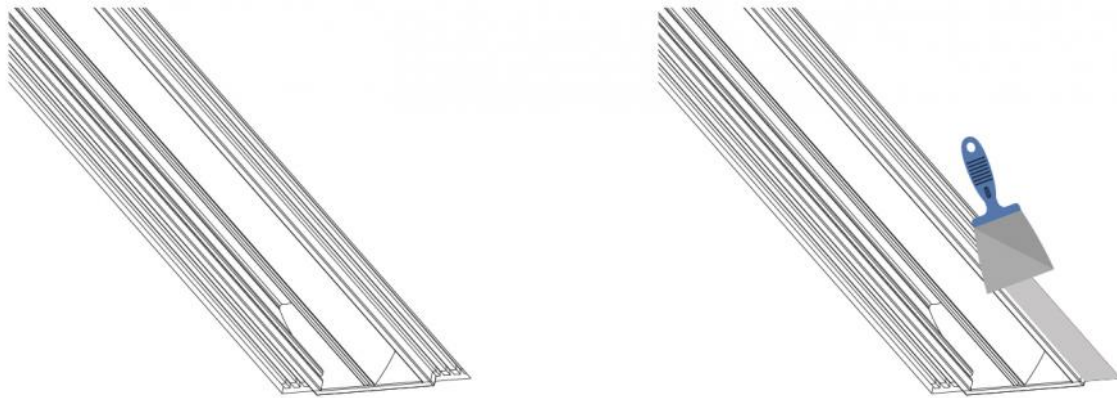
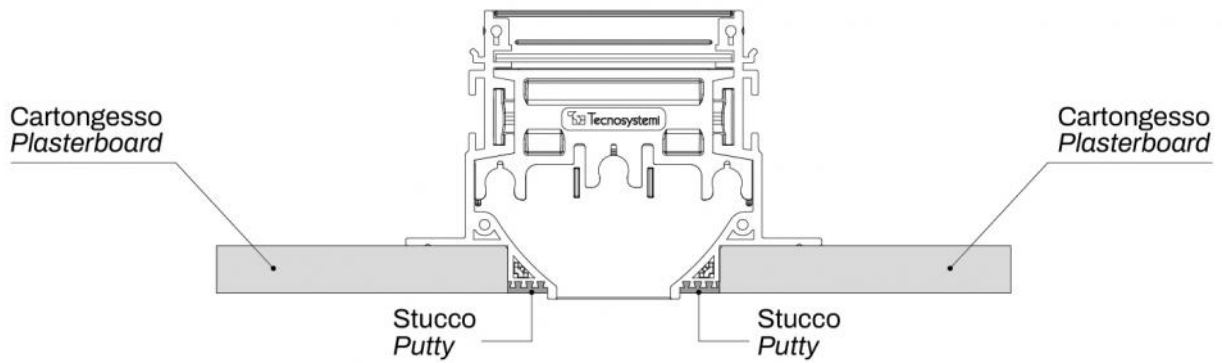




DAMPER ADJUSTMENT

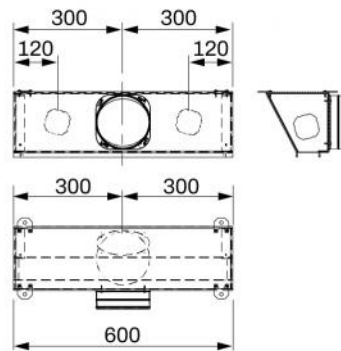


GROUTING

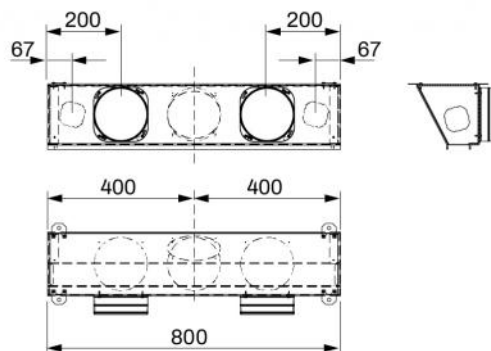


Use a screwdriver to adjust the damper, acting beneath the diffuser.

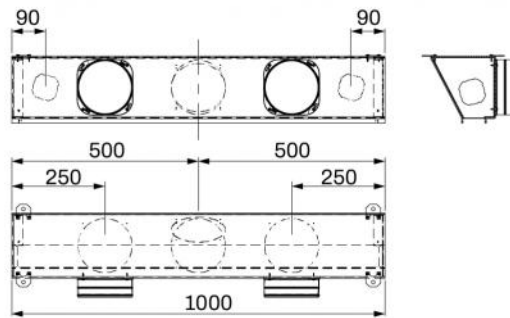
DIMENSIONAMENTI PREDISPOSIZIONI L. 600



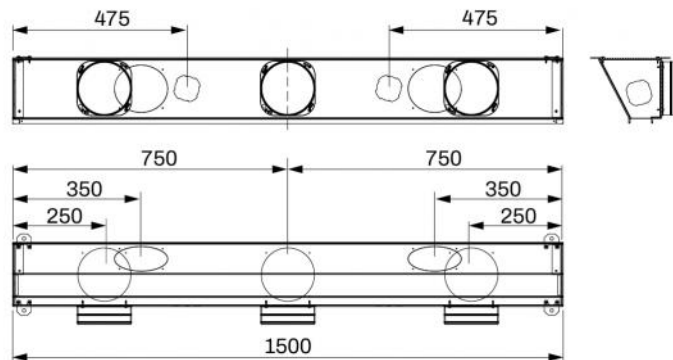
DIMENSIONAMENTI PREDISPOSIZIONI L. 800



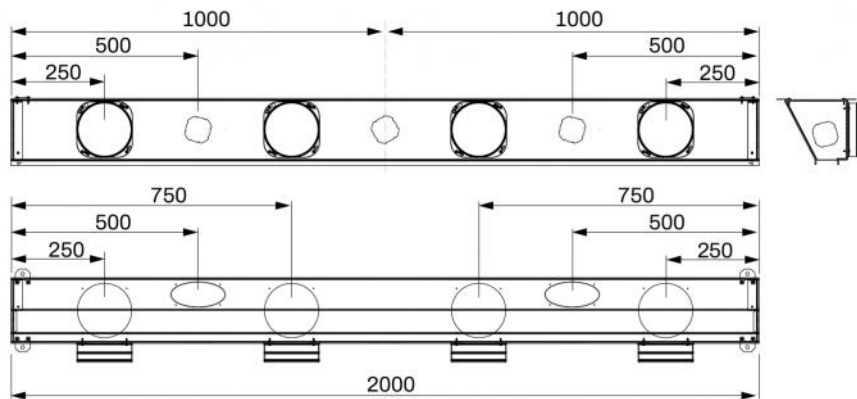
DIMENSIONAMENTI PREDISPOSIZIONI L. 1000



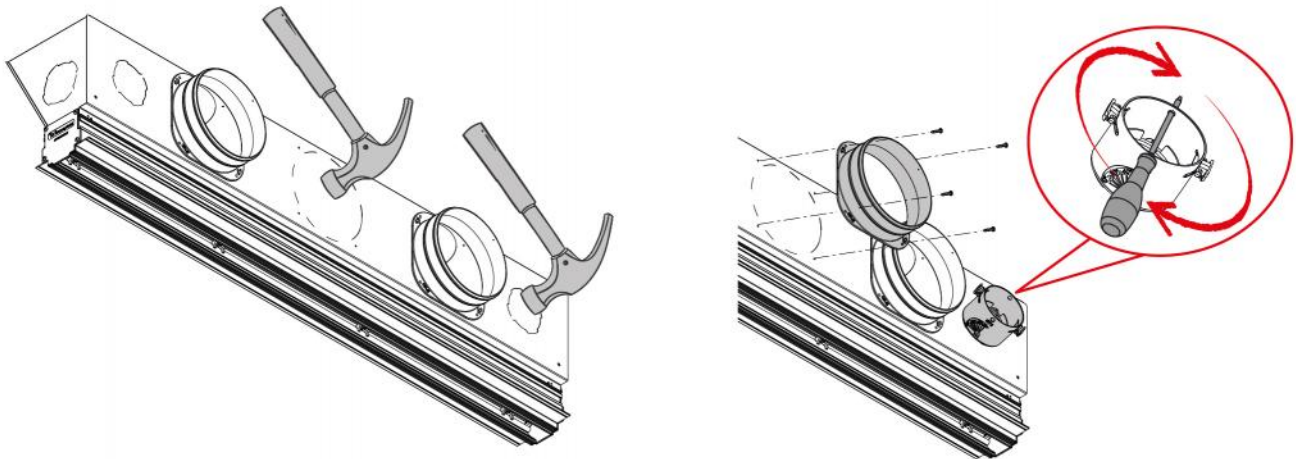
DIMENSIONAMENTI PREDISPOSIZIONI L. 1500



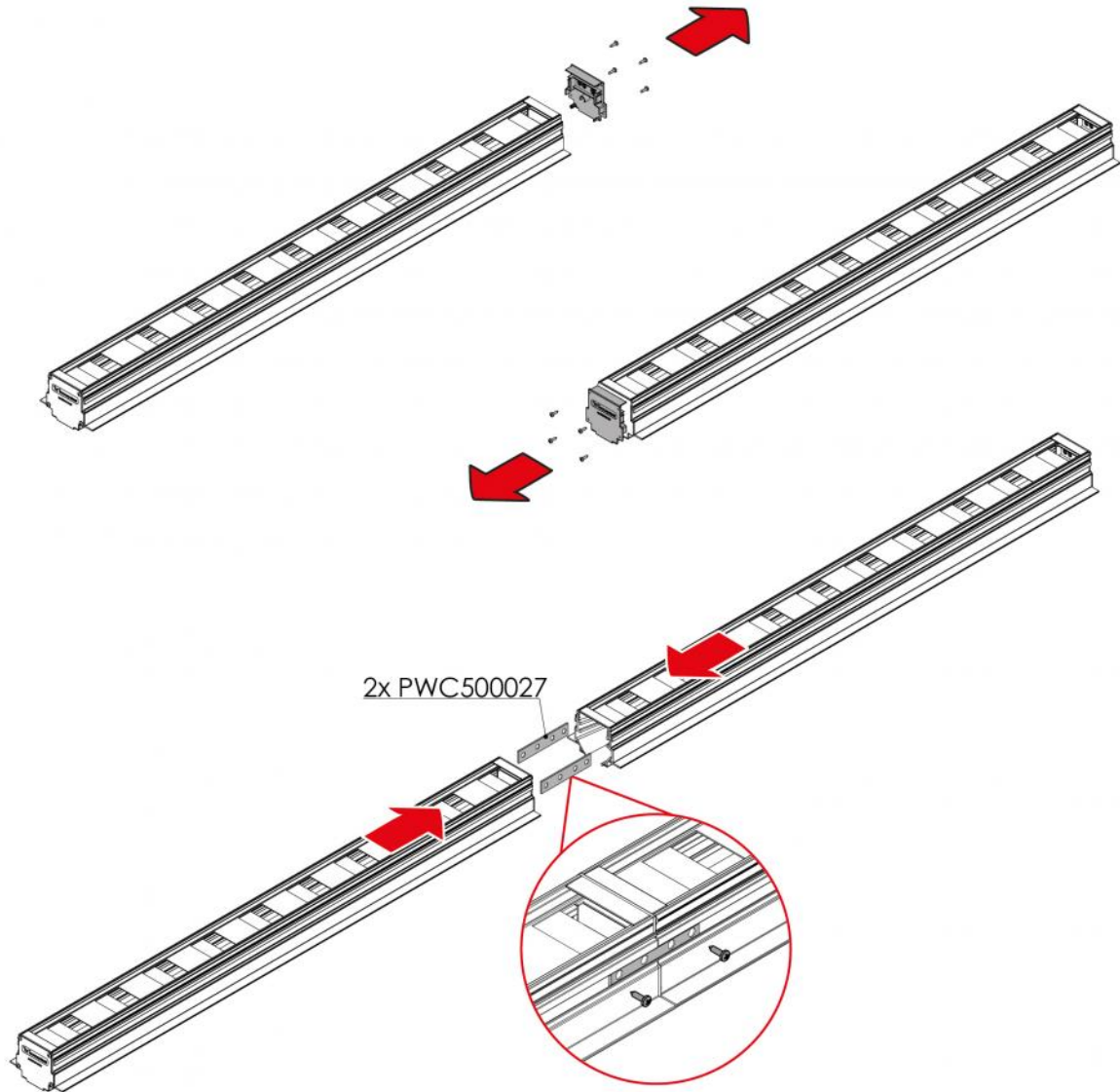
DIMENSIONAMENTI PREDISPOSIZIONI L. 2000



EXAMPLE OF COLLAR AND/OR VMC BUILT-IN INSTALLATION BOX INSTALLATION



EXAMPLE OF CONTINUITY KIT FIXING



ITEMS

CODE	DESCRIPTION
PWD301412	PLÉNUM AND CENTRAL DEFLECTOR L600mm SLOT 20mm WHITE
PWD301413	PLÉNUM AND CENTRAL DEFLECTOR L600mm SLOT 20mm BLACK
PWD301420	PLÉNUM AND CENTRAL DEFLECTOR L600mm SLOT 30mm WHITE
PWD301421	PLÉNUM AND CENTRAL DEFLECTOR L600mm SLOT 30mm BLACK
PWD301428	PLÉNUM AND CENTRAL DEFLECTOR L800mm SLOT 20mm WHITE
PWD301429	PLÉNUM AND CENTRAL DEFLECTOR L800mm SLOT 20mm BLACK
PWD301436	PLÉNUM AND CENTRAL DEFLECTOR L800mm SLOT 30mm WHITE
PWD301437	PLÉNUM AND CENTRAL DEFLECTOR L800mm SLOT 30mm BLACK
PWD301444	PLÉNUM AND CENTRAL DEFLECTOR L1000mm SLOT 20mm WHITE
PWD301445	PLÉNUM AND CENTRAL DEFLECTOR L1000mm SLOT 20mm BLACK
PWD301452	PLÉNUM AND CENTRAL DEFLECTOR L1000mm SLOT 30mm WHITE
PWD301453	PLÉNUM AND CENTRAL DEFLECTOR L1000mm SLOT 30mm BLACK
PWD301460	PLÉNUM AND CENTRAL DEFLECTOR L1500mm SLOT 20mm WHITE
PWD301461	PLÉNUM AND CENTRAL DEFLECTOR L1500mm SLOT 20mm BLACK
PWD301468	PLÉNUM AND CENTRAL DEFLECTOR L1500mm SLOT 30mm WHITE
PWD301469	PLÉNUM AND CENTRAL DEFLECTOR L1500mm SLOT 30mm BLACK
PWD301476	PLÉNUM AND CENTRAL DEFLECTOR L2000mm SLOT 20mm WHITE
PWD301477	PLÉNUM AND CENTRAL DEFLECTOR L2000mm SLOT 20mm BLACK
PWD301484	PLÉNUM AND CENTRAL DEFLECTOR L2000mm SLOT 30mm WHITE
PWD301485	PLÉNUM AND CENTRAL DEFLECTOR L2000mm SLOT 30mm BLACK

All rights relating to this publication are the exclusive property of Tecnosystemi SpA.
 Tecnosystemi SpA reserves the right to make changes at any time and without notice, for technical or commercial needs.