

# OPTIMA TMR CLEAN

flanged round wall-mounted terminal CLEAN

- cod. SCD100624 - cod. SCD100625 - cod. SCD100626  
- cod. SCD100627



## DESCRIPTION

Flanged round wall-mounted terminal for ducts of the OPTIMA series, in high impact resistance plastic, recyclable. The terminal was designed with a quick and easy slot-in fixing system. The wall terminal has a large external flange with an innovative round shape, pre-cut slots for the discharge pipe outfeed and 3 pre-cut holes for wall fixing if required. The PVC characteristics ensure use at temperatures from -20°C to +60°C.

## APPLICATIONS

Conditioning systems.  
Wall installation both indoors and outdoors.

## AVAILABLE MODELS

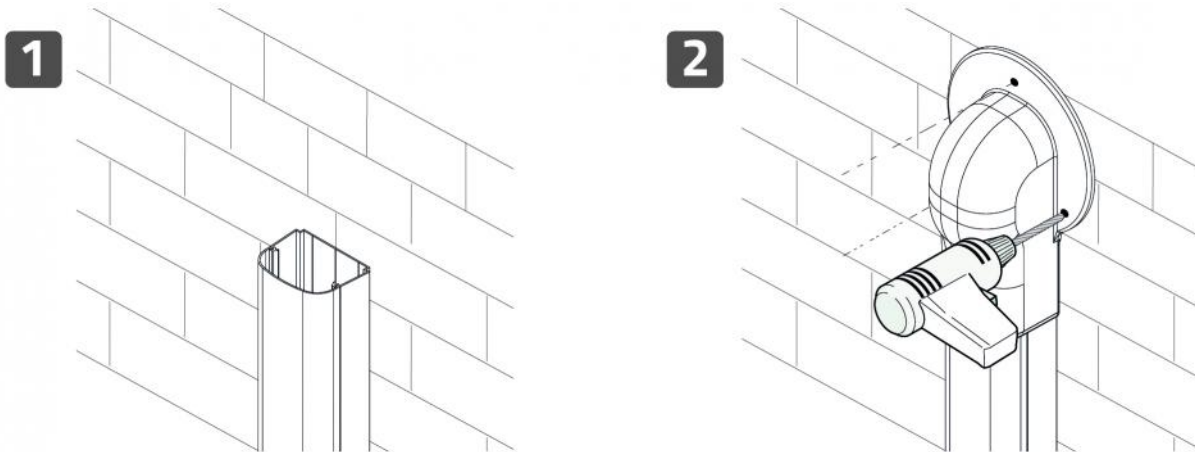


WHITE

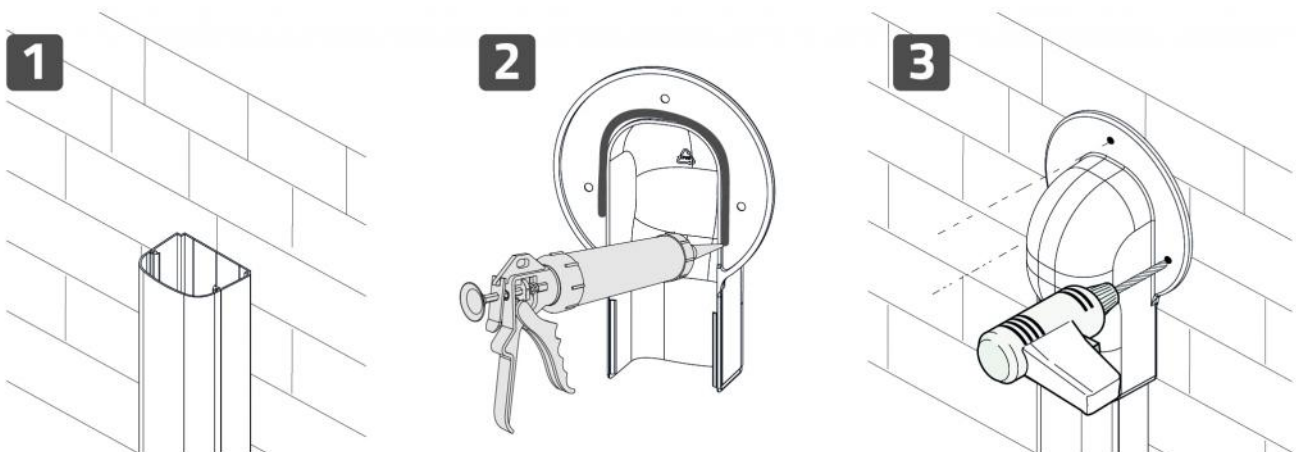
## DIMENSIONS

CODE	MODEL	A [mm]	B [mm]	C [mm]	D [mm]	E [mm]
SCD100624	TMR OPT 62 CLEAN	63	48	176	120	62
SCD100625	TMR OPT 75 CLEAN	77	58	207	140	75
SCD100626	TMR OPT 102 CLEAN	100	67	237	170	85
SCD100627	TMR OPT 135 CLEAN	135	84	277	212	100

## EXAMPLE OF FIXING WITH SCREWS



## EXAMPLE OF FIXING WITH SILICONE AND SCREWS



**ITEMS**

CODE	DESCRIPTION
SCD100624	
SCD100625	
SCD100626	
SCD100627	

All rights relating to this publication are the exclusive property of Tecnosystemi SpA.  
Tecnosystemi SpA reserves the right to make changes at any time and without notice, for technical or commercial needs.

