

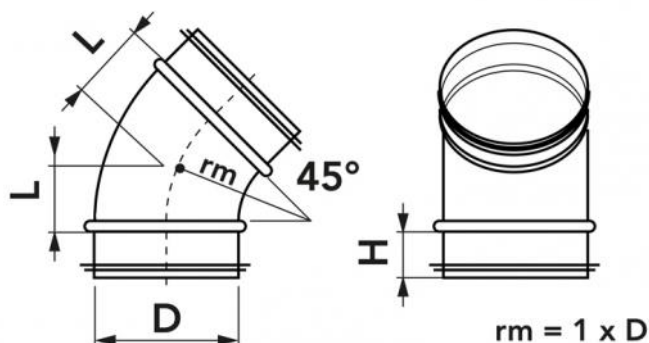
45° Smooth curve

- cod. 31500130 - cod. 31500140 - cod. 31500150
- cod. 31500160 - cod. 31500170 - cod. 31500180
- cod. 31500182 - cod. PWC500056 - cod. 31500184
- cod. 31500186



TECHNICAL SPECIFICATIONS:

- Made of galvanized steel
- With double lip EPDM gasket



DIMENSIONS

CODE	D [mm]	rm [mm]	H [mm]	L [mm]	WEIGHT [kg]
31500130	80	100	36	41	0,20
31500140	100	100	36	41	0,30
31500150	125	125	36	52	0,40
31500160	160	160	36	66	0,60
31500170	200	200	36	83	0,90
31500180	250	250	36	104	1,30
31500182	300	300	46		1,72
PWC500056	315	315	36	130	2,80
31500184	355	355	55		2,50
31500186	400	400	75		3,03

ITEMS

CODE	DESCRIPTION
31500130	SMOOTH CURVE 45° Ø 80
31500140	SMOOTH CURVE 45° Ø 100
31500150	SMOOTH CURVE 45° Ø 125
31500160	SMOOTH CURVE 45° Ø 160
31500170	SMOOTH CURVE 45° Ø 200
31500180	SMOOTH CURVE 45° Ø 250
31500182	SMOOTH CURVE 45° Ø 300
PWC500056	ELBOW A 45° Ø315
31500184	SMOOTH CURVE 45° Ø 355
31500186	SMOOTH CURVE 45° Ø 400

All rights relating to this publication are the exclusive property of Tecnosystemi SpA.
 Tecnosystemi SpA reserves the right to make changes at any time and without notice, for technical or commercial needs.