

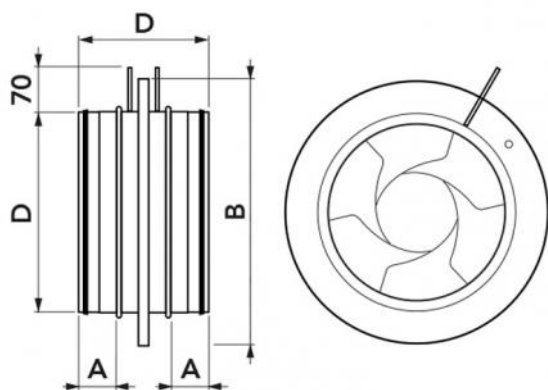
# Metal flow regulation valve

- cod. 11161830 - cod. 11161831 - cod. 11161833  
- cod. 11161834



## TECHNICAL SPECIFICATIONS:

- Made of galvanized steel



## DIMENSIONS

CODE	D [mm]	B [mm]	L [mm]	A [mm]
11161830	99	165	110	30
11161831	124	188	110	30
11161833	159	230	110	30
11161834	199	285	110	30

## TECHNICAL DATA

MODEL	AIR FLOW RATE (m <sup>3</sup> /h) 35 [dB(A)]	AIR FLOW RATE (m <sup>3</sup> /h) 55 [dB(A)]
100	40	270
125	60	400
160	120	600
200	270	1100

## ITEMS

CODE	DESCRIPTION
11161830	METAL CONTROL VALVE FOR DUCTS Ø 100
11161831	METAL CONTROL VALVE FOR DUCTS Ø 125
11161833	METAL CONTROL VALVE FOR DUCTS Ø 160
11161834	METAL CONTROL VALVE FOR DUCTS Ø 200

All rights relating to this publication are the exclusive property of Tecnosystemi SpA.  
Tecnosystemi SpA reserves the right to make changes at any time and without notice, for technical or commercial needs.