

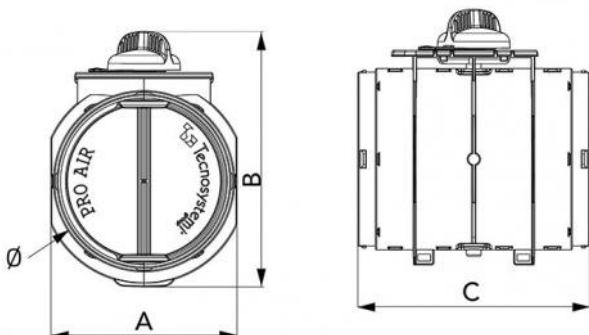
Circular damper with manual adjustment

- cod. PWD500029 - cod. PWD500030



TECHNICAL SPECIFICATIONS:

- Manual adjustment at 0° - 30° - 60° - 90°
- Made of anti-condensate plastic material
- Ensures thermal insulation between the inner and outer surfaces
- Adjustment knob is included



DIMENSIONS

CODE	A [mm]	B [mm]	C [mm]	Ø [mm]
PWD500029	154	212	192	150
PWD500030	204	262	192	200

ITEMS

CODE	DESCRIPTION
PWD500029	CIRCULAR DAMPER WITH MANUAL ADJUSTMENT Ø150
PWD500030	CIRCULAR DAMPER WITH MANUAL ADJUSTMENT Ø200

All rights relating to this publication are the exclusive property of Tecnosystemi SpA.
 Tecnosystemi SpA reserves the right to make changes at any time and without notice, for technical or commercial needs.