

# TS-COVER SILENT WALL

aesthetic soundproof protection for external wall-mounted units

- cod. SCD500446 - cod. SCD500447



## DESCRIPTION

Aphonic cover cage in galvanized metal sheet painted in polyester for outdoor unit. Available in 2 base colours: IVORY and GREY.

The new cage is coated internally with sound-absorbing material that guarantees better performance in terms of sound insulation.

The cage offers protection against rain, hail and UV rays, ensuring that the unit operates in optimal conditions regardless of the weather.

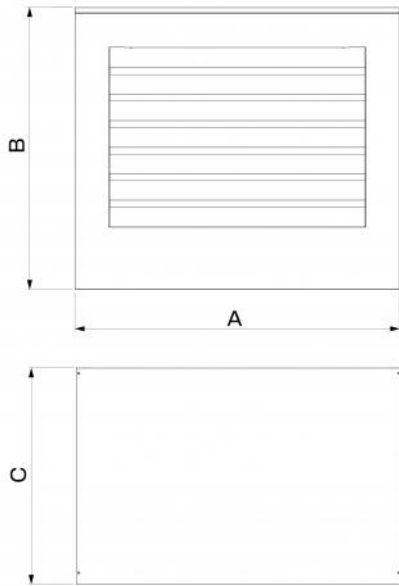
The cage is easy and intuitive to install and comes complete with assembly instructions, screws and arrangements for wall mounting.

On both sides there are built-in installation boxes for the passage of pipe duct and wiring.

Certified noise reduction of up to 9.4 dB(A).

## APPLICATIONS

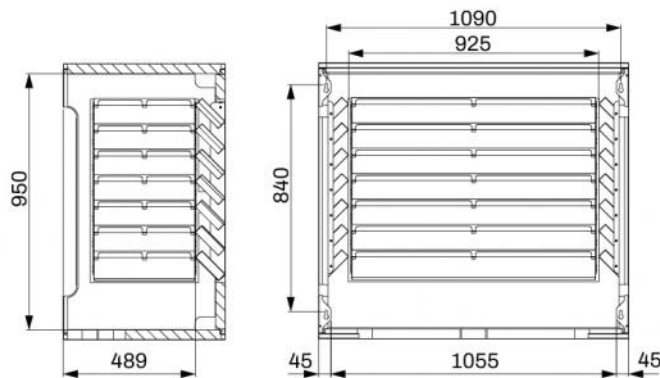
Ideal for wall installations.



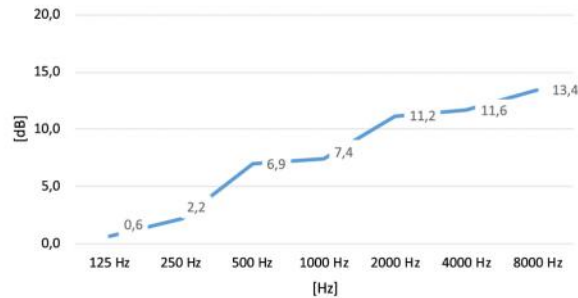
## DIMENSIONS

CODE	A [mm]	B [mm]	C [mm]	SOUND REDUCTION [dB(A)]	WEIGHT [kg]
SCD500446	1150	1020	600	9.4	35
SCD500447	1150	1020	600	9.4	35

## INTERNAL DIMENSIONS



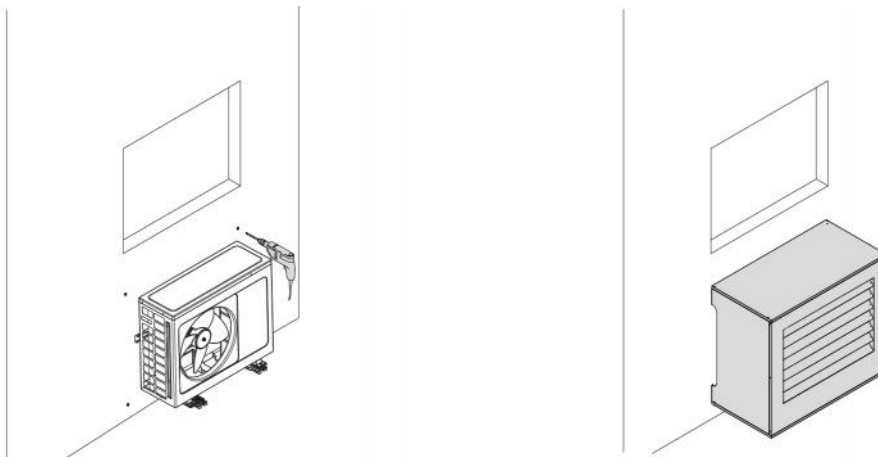
## FREQUENCY ISOLATION (according to ISO 11546-1)



### NOTE

“Tests carried out at the Acoustics Laboratory of the Department of Industrial Engineering of the University of Padua in accordance with the methods of UNI EN ISO 11546-1”

### EXAMPLE OF INSTALLATION:



**ITEMS**

CODE	DESCRIPTION
SCD500446	"TS COVER SILENT WALL"
SCD500447	"TS COVER SILENT WALL"

All rights relating to this publication are the exclusive property of Tecnosystemi SpA.  
Tecnosystemi SpA reserves the right to make changes at any time and without notice, for technical or commercial needs.

