

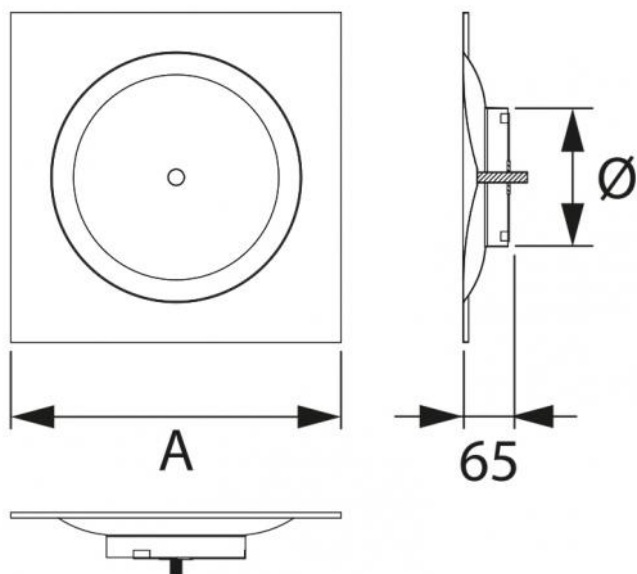
Circular diffuser on square base

- cod. PWC200080 - cod. PWC200070 - cod. PWC200071



TECHNICAL SPECIFICATIONS:

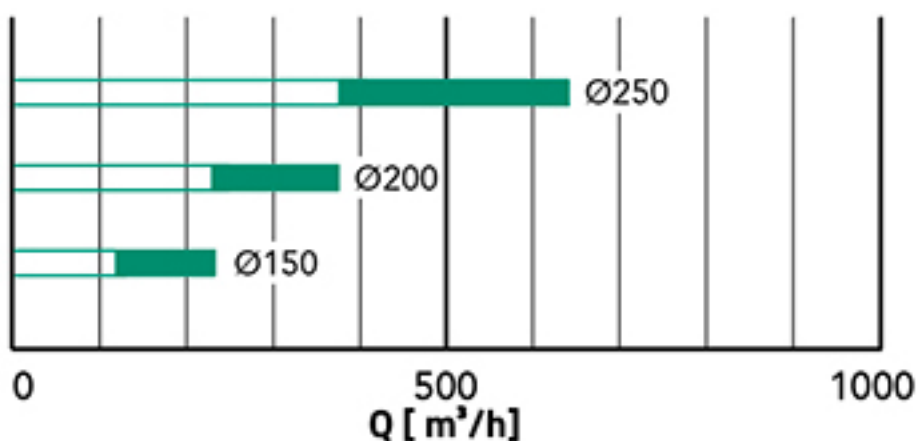
- Made of white painted aluminium RAL 9016
- High operating efficiency
- Suitable for supply and recovery



DIMENSIONS:

CODE	A [mm]	Ø [mm]
PWC200080	595 x 595	148
PWC200070	595 x 595	198
PWC200071	595 x 595	248

RAPID AIR FLOW SELECTION



ITEMS

CODE	DESCRIPTION
PWC200080	CIRCULAR DIFFUSER ON SQUARE BASE WHITE - Ø150
PWC200070	CIRCULAR DIFFUSER ON SQUARE BASE WHITE - Ø200
PWC200071	CIRCULAR DIFFUSER ON SQUARE BASE WHITE - Ø250

All rights relating to this publication are the exclusive property of Tecnosystemi SpA.
 Tecnosystemi SpA reserves the right to make changes at any time and without notice, for technical or commercial needs.