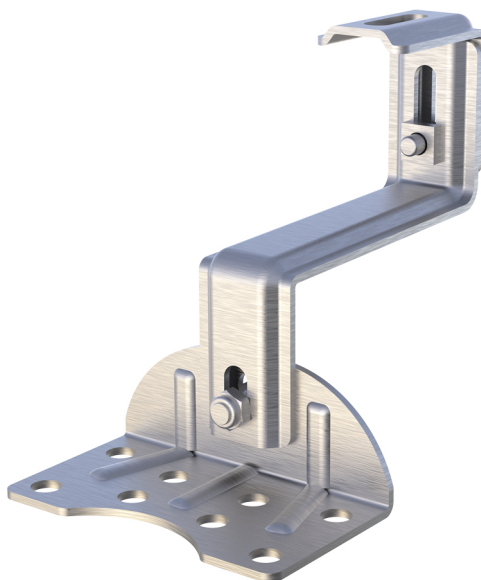


HS2HDRT

3 mm thick high support double adjustment for tiled roofs

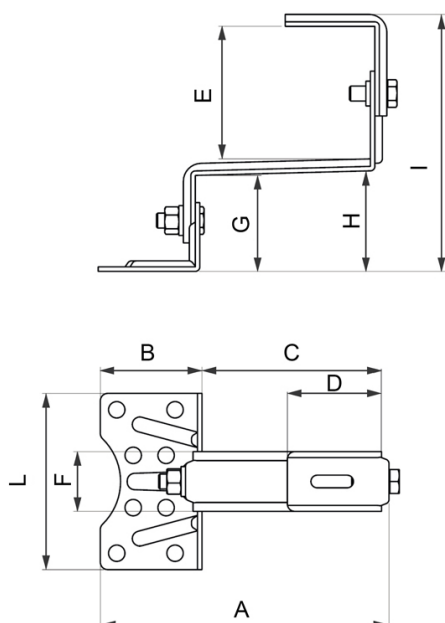
- cod. 11111103 - cod. 11111103BOX



TECHNICAL SPECIFICATIONS:

- Material: AISI 304 stainless steel
- Flexural modulus of elasticity: 196000 N/mm²
- Tensile breaking load: 515 N/mm²
- 8 holes Ø 11 prepared for bracket fixing
- Hook dimensions: 40mm x 3mm thickness

TECHNICAL DRAWING:



DIMENSIONS OF THE SHORT VERSION:

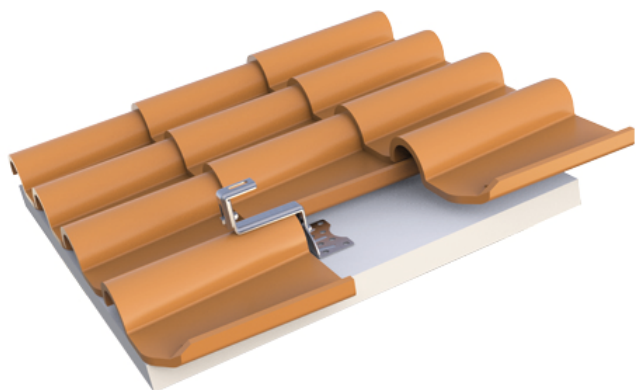
A [mm]	B [mm]	C [mm]	D [mm]	E [mm]	F [mm]	G [mm]	H [mm]	I [mm]	L [mm]
193	70	120	60	97-122	40	58-69	61-72	174-210	120

DIMENSIONS OF THE LONG VERSION:

A [mm]	B [mm]	C [mm]	D [mm]	E [mm]	F [mm]	G [mm]	H [mm]	I [mm]	L [mm]
193	70	120	60	65-80	40	100-111	103-114	184-210	120

APPLICATION:

Fixing of photovoltaic systems on roofing tiles supported by strips of varying thickness.



ITEMS

CODE	DESCRIPTION
11111103	HIGH SUPPORT WHIT DUAL REGULATION "HS2DRT"
11111103BOX	HIGH SUPPORT WHIT DUAL REGULATION "HS2DRT" - BOX 10 pcs

All rights relating to this publication are the exclusive property of Tecnosystemi SpA.

Tecnosystemi SpA reserves the right to make changes at any time and without notice, for technical or commercial needs.