

# DONATELLO SD

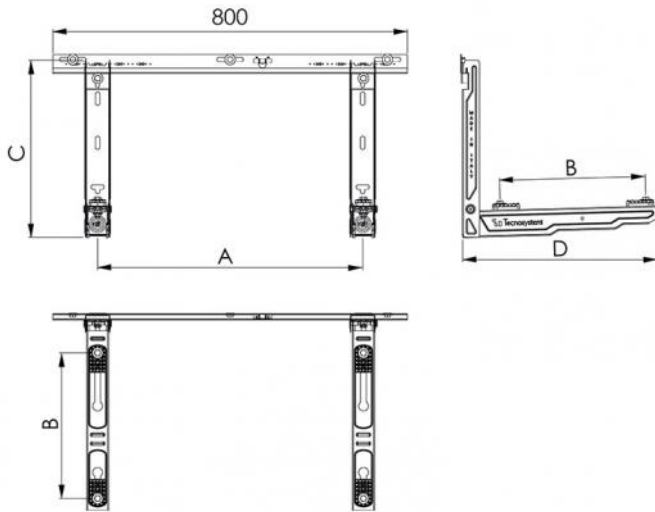
coupling bracket with graduated and sliding bar

- cod. SCD500398 - cod. SCD500400 - cod. SCD500402  
- cod. SCD500404



## TECHNICAL SPECIFICATIONS:

- Made of electro-galvanised metal sheet
- External polyester painting RAL 9002
- Graduated wall bracket with spirit level included
- Adjustable rear swivel feet
- Ready for condensate drain pan
- "NO-SHOCK" vibration dampers supplied
- Wall mounting fixing plugs
- Pre-assembled wall bracket



## DIMENSIONS

CODE	A [mm]	B [mm]	C [mm]	D [mm]	LOAD CAPACITY [kg]
SCD500398	350/750	180/330	400	440	110
SCD500400	350/750	230/390	400	500	110
SCD500402	350/750	270/450	400	560	110
SCD500404	350/750	340/540	400	650	100

## ITEMS

CODE	DESCRIPTION
SCD500398	WALL BRACKET "DONATELLO" - 440L
SCD500400	WALL BRACKET "DONATELLO" - 500L
SCD500402	WALL BRACKET "DONATELLO" - 560L
SCD500404	WALL BRACKET "DONATELLO" - 650L

All rights relating to this publication are the exclusive property of Tecnosystemi SpA.  
 Tecnosystemi SpA reserves the right to make changes at any time and without notice, for technical or commercial needs.