

TSCT

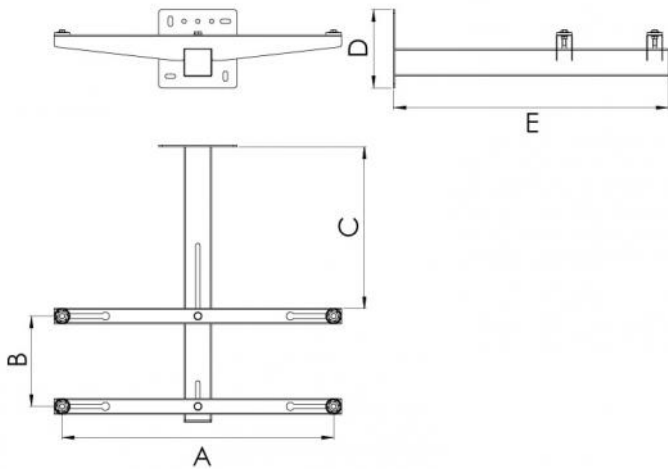
telescopic wall bracket for thermal insulation

- cod. SCD500141



TECHNICAL SPECIFICATIONS:

- Made of electro-galvanised metal sheet
- External polyester painting
- Vibration dampers supplied
- Fixing plugs not supplied
- Fixing template supplied
- Thermal recovery insulation, supplied
- Aesthetic finishing plates supplied
- Possibility of installing the SCD500080 tray support on the insulation bracket



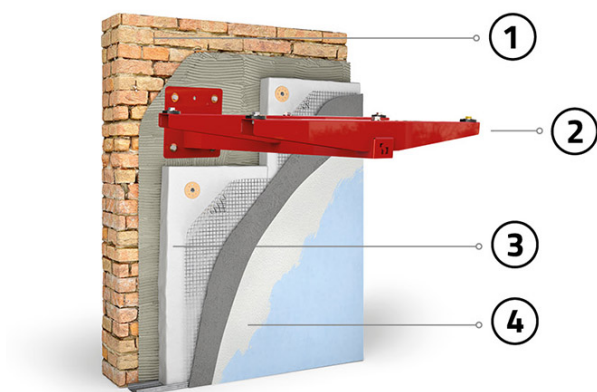
DIMENSIONS

CODE	A [mm]	B [mm]	C [mm]	D [mm]	E [mm]	LOAD CAPACITY [kg]
SCD500141	490 ÷ 690	230 ÷ 410		200	700	90

PACK COMPLETE WITH

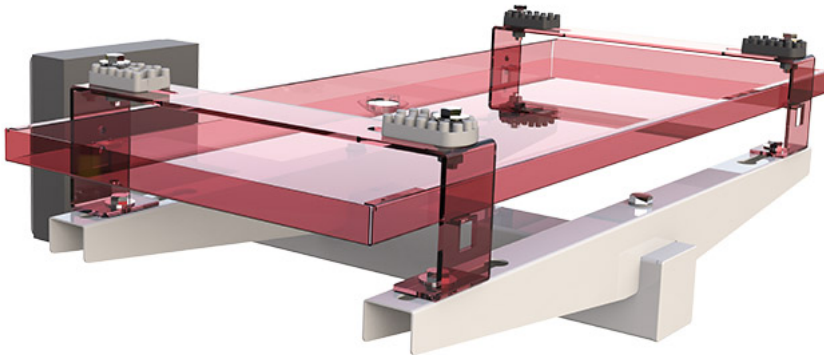
- sliding vibration dampers
- thermal recovery insulation pad 10 cm
- 1 instruction booklet
- cover for infill

EXAMPLE OF INSTALLATION:



- [1] Masonry
- [2] Insulation wall bracket
- [3] Insulation
- [4] Plaster

EXAMPLE OF INSTALLATION:



Basin support SCD500080 can be installed on the insulation bracket

ITEMS

CODE	DESCRIPTION
SCD500141	TELESCOPIC BRACKET FOR THERMAL CLADDING "TSCT"

All rights relating to this publication are the exclusive property of Tecnosystemi SpA.
 Tecnosystemi SpA reserves the right to make changes at any time and without notice, for technical or commercial needs.

