

Electrical battery with thermostat for heat recovery from 200 to 800 m³/h

- cod. ACC400001 - cod. ACC400002 - cod. ACC400003
- cod. ACC400004



DESCRIPTION

Electrical battery with wire heating element mounted on a galvanised metal sheet duct and complete with:

- automatic reset thermal protector (50°C) and manual reset thermal protector (60°C)
- relay/contactor and terminal board
- duct thermostat adjustable from -10°C to +40°C

The battery is equipped with safety thermostats with automatic and manual reset, calibrated to trip in the event of failure or poor ventilation.

The bulb thermostat adjustable from -10 to +40°C installed at the inlet, allows for the triggering temperature of the heating element to be set; the device is activated automatically when the set temperature is reached.

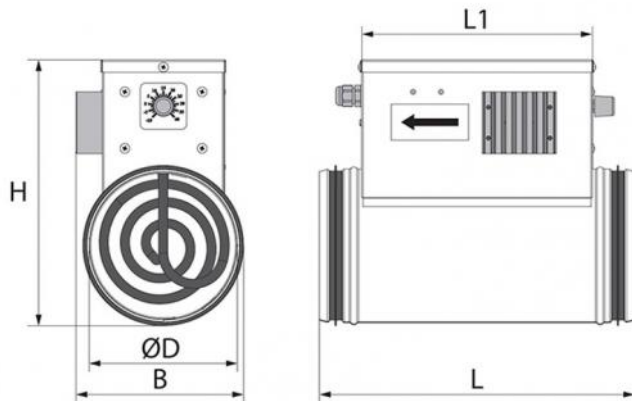
TECHNICAL SPECIFICATIONS:

- Equipped with thermostat for temperature regulation from -10°C to + 40°C
- Equipped with two thermoprotectors: +50°C with automatic reset; +90°C with manual reset
- To prevent overheating the battery, air flow must always be greater than the minimum flow rate indicated in the table

INSTALLATION

- The battery is designed to be connected to circular pipes of nominal diameter as shown in the table. Sealing is provided by the gasket on the battery neck.
- The electric battery can be installed in any position except with the electrical panel facing down, so as to prevent condensation from causing short circuits.
- Make sure that the length of the pipe before and after the battery is at least twice the diameter of the pipe.

- Make sure that the battery only turns on when the heat recovery unit fan is switched on.
- The minimum air flow rate inside the battery has to be 1.5m/s, if the air flow is below the minimum, the battery shutdown has to be ensured.
- The starting of the battery shall be dependent on the operation of the heat recovery unit. For this reason, it is useful to use an air flow sensor in the pipe to block the operation of the heater in the event of a malfunction of the heat recovery unit.



DIMENSIONS

CODE	MODEL	L [mm]	H [mm]	B [mm]	L1 [mm]
ACC400001	125 - 0,6	306	230	103	227
ACC400002	150 - 1,2	306	144	226	
ACC400003	200 - 1,7	306	302	174	228
ACC400004	200 - 2,4	376	302	174	298

TECHNICAL DATA

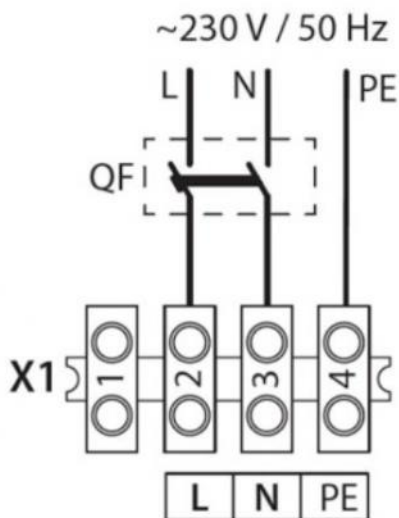
MODEL	NOMINAL FLOW RATE [m³/h]	MINIMUM FLOW RATE [m³/h]	ΔT NOMINAL AIR [°C]	COUPLERS [mm]	VOLTAGE [V]	FREQUENC Y [Hz]	POWER [kW]	WEIGHT [kg]
125 - 0,6	200	60	9	125	230	50	0,6	1,6
150 - 1,2	300	120	12	150	230	50	1,2	2,1
200 - 1,7	500	150	7	200	230	50	1,7	2,6
200 - 2,4	800	180	9	200	230	50	2,4	3,2

WIRING DIAGRAM

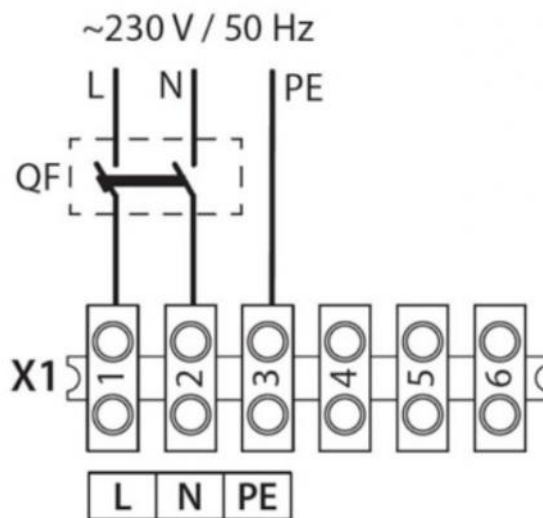
The electrical connections must be made by authorised and qualified personnel and they must comply with current regulations.

The power cables must be fed into the electrical box using the cable glands on the side.

The battery connection must be made carefully following the wiring diagram attached.



ACC400001



ACC400002 - ACC400003 - ACC400004

ITEMS

CODE	DESCRIPTION
ACC400001	ELECTRICAL BATTERIES WITH THERMOSTAT Ø125 0,6 kW FOR HEAT RECOVERY UNITS
ACC400002	ELECTRICAL BATTERIES WITH THERMOSTAT Ø150 1,2 kW FOR HEAT RECOVERY UNITS
ACC400003	ELECTRICAL BATTERIES WITH THERMOSTAT Ø200 1,7 kW FOR HEAT RECOVERY UNITS
ACC400004	ELECTRICAL BATTERIES WITH THERMOSTAT Ø200 2,4 kW FOR HEAT RECOVERY UNITS

All rights relating to this publication are the exclusive property of Tecnosystemi SpA.
 Tecnosystemi SpA reserves the right to make changes at any time and without notice, for technical or commercial needs.