

ARIA 2 ELEGANCE CR

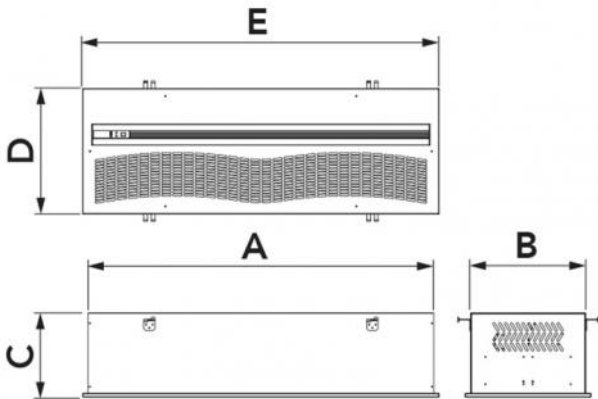
Built-in centrifugal air curtain with electrical heating element

- cod. 12300033R3 - cod. 12300035R3 - cod. 12450030R3



TECHNICAL SPECIFICATIONS:

- 3 models in white
- 3 speeds operated by remote control
- Air curtains are designed for indoor use
- Automatic start-up kit on request
- Total integration in the false ceiling
- The unit must be installed horizontally
- Installation height max 3 m



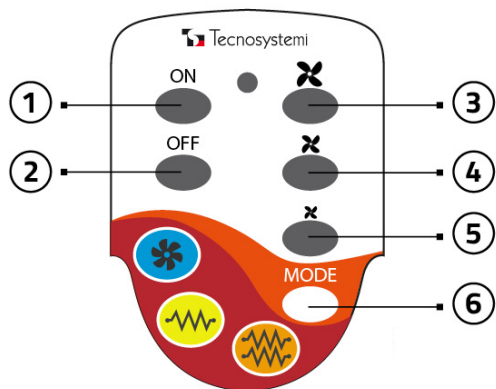
DIMENSIONS

CODE	MODEL	A [mm]	B [mm]	C [mm]	D [mm]	E [mm]	SUITABLE FOR LARGE DOORS [mm]
12300033R3	1000		362	270	396	1034	L=1000 Hmax=3000 Hmin=1800
12300035R3	1500		362	270	396	1524	L=1500 Hmax=3000 Hmin=1800
12450030R3	2000		362	270	396	2034	L=2000 Hmax=3000 Hmin=1800

TECHNICAL DATA

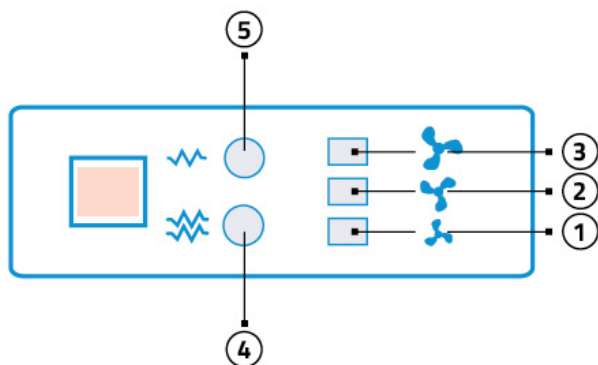
CODE	SUPPLY VOLTAGE [V]	FREQUENCY [Hz]	POWER CONSUMPTION [W]	POWER CONSUMPTION WITH PARTIAL LOAD RESISTANCE [W]	POWER ABSORBED WITH FULL LOAD RESISTANCE [W]	AIR FLOW RATE [m³/h]	SOUND POWER LEVEL [DB(A)]	ΔT AIR WITH HEATING ELEMENTS [°C]	WEIGHT [kg]
12300033R3	400 ac	50	180	3800	5700	I:1163 II:1242 III:1436	I:54 II:57 III:60	20	23
12300035R3	400 ac	50	240	6400	9600	I:1724 II:1916 III:2129	I:55 II:58 III:61	20	36
12450030R3	400 ac	50	360	7600	11400	I:2589 II:2877 III:3197	I:56 II:59 III:62	20	50

REMOTE CONTROL



- [1] ON / Turns the appliance on
- [2] OFF / Shuts the appliance off
- [3] Maximum speed
- [4] Medium speed
- [5] Low speed
- [6] Selection of heating element

DASHBOARD LABEL



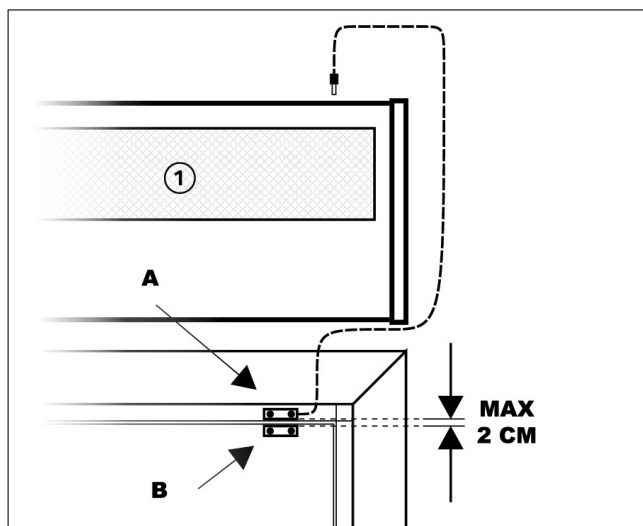
- [1] 1st speed (Min) 1 LED LIT
- [2] 2nd speed (Med) 2 LEDS LIT
- [3] 3rd speed (Max) 3 LEDS LIT
- [4] Heating element at full load (orange LED)
- [5] Heating element at partial load (yellow LED)

AUTOMATIC START KIT FOR AIR CURTAINS.

This kit, sold separately from the air curtain, allows you to switch the machine on and off by opening and closing the door.



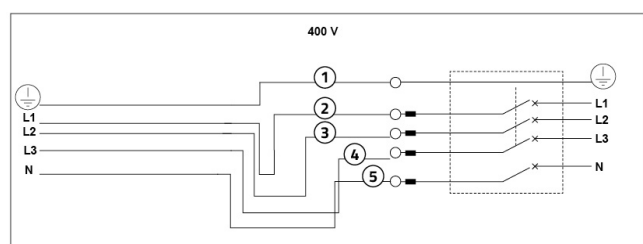
INSTALLING AND COMMISSIONING THE AUTOMATIC START KIT (optional)



[1] Air curtain

Connect the wired sensor to the air curtain via jack.
 Attach the magnetic sensor A to the door casing or to a solid point with the door frame.
 Attach the second sensor to the moving part of the door leaving no more than 2 cm between the two sensors.
 When the “automatic start kit” is installed, the air curtain can be switched on and off with the opening / closing of the door.

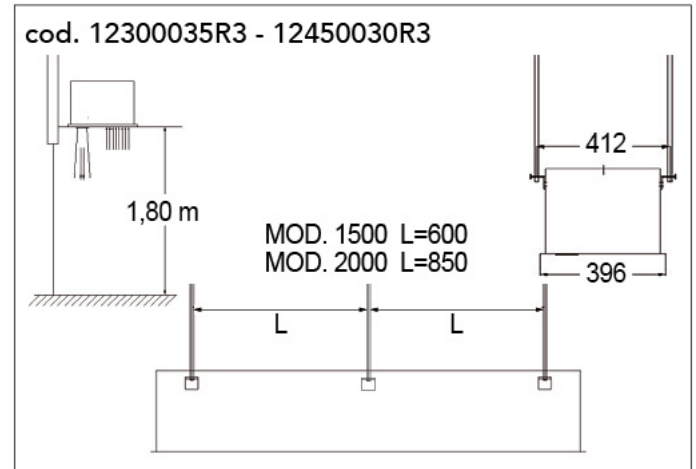
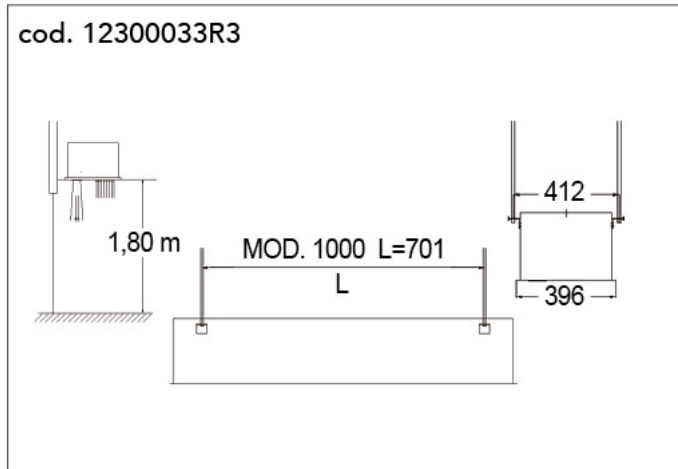
THREE-PHASE POWER SUPPLY AND WIRING DIAGRAM



[L1 - L2 - L3] Connect the line conductor: all safety guards are fitted inside
 [N] Connect the neutral connector
 Connect the conductor [1] having a length greater than 1 cm compared to [L1] and [N]
 [1] YELLOW/GREEN
 [2] BROWN
 [3] BLACK
 [4] WHITE
 [5] BLUE
IMPORTANT!

During the electrical connection, the installer must comply with the polarities indicated by the plate in front of the power supply terminal board.

INSTALLATION AND START-UP



ITEMS

CODE	DESCRIPTION
12300033R3	"ARIA2 ELEGANCE CR" 1000 CENTRIFUGAL AIR CURTAINS WITH 3 ELECTRIC HEATING ELEMENTS
12300035R3	"ARIA2 ELEGANCE CR" 1500 CENTRIFUGAL AIR CURTAINS WITH 6 ELECTRIC HEATING ELEMENTS
12450030R3	"ARIA2 ELEGANCE CR" 2000 CENTRIFUGAL AIR CURTAINS WITH 6 ELECTRIC HEATING ELEMENTS

All rights relating to this publication are the exclusive property of Tecnosystemi SpA.
 Tecnosystemi SpA reserves the right to make changes at any time and without notice, for technical or commercial needs.