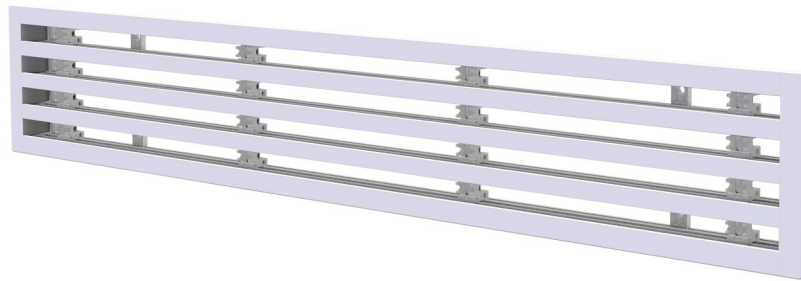


# Linear intake diffuser in ALUMINIUM - 4 slots

- cod. PWD301676 - cod. PWD301679 - cod. PWD301682  
- cod. PWD301685 - cod. PWD301688



## DESCRIPTION

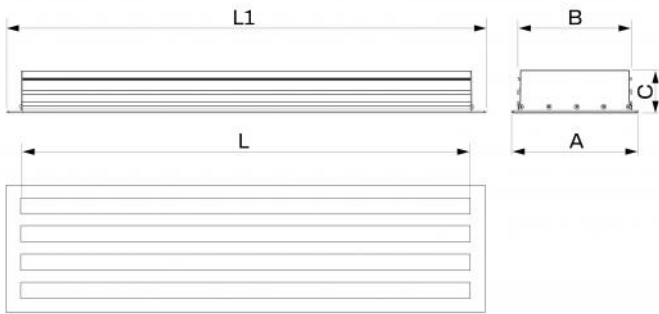
Visible linear intake diffuser in aluminium with 4 slots, white.  
Diffusers are used in places where the ceiling design has to be assured, such as offices, meeting rooms and hotels, ensuring uniform air diffusion and high thermal induction.  
It is fixed to the plenum, which can be purchased separately, using front screws and mobile C brackets.

## APPLICATIONS

Diffuser ideal for wall or ceiling installations in intake ONLY.

## ACCESSORIES

- Plenum in insulated galvanised metal sheet, can be purchased separately.
- Continuity kit, can be purchased separately.



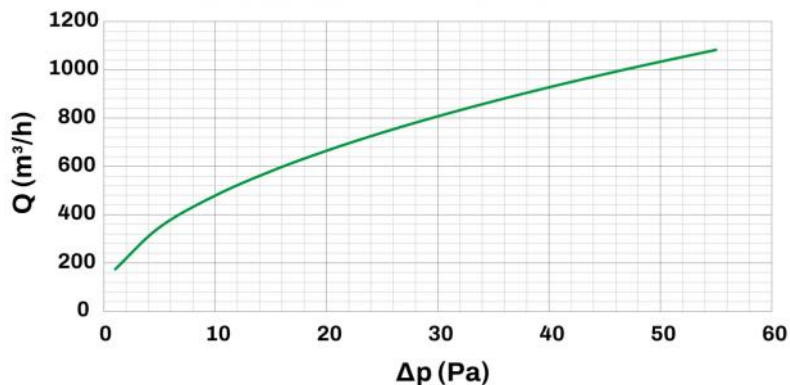
## DIMENSIONS

CODE	L [mm]	L1 [mm]	A [mm]	B [mm]	C [mm]
PWD301676	600	645	183	166	60
PWD301679	800	845	183	166	60
PWD301682	1000	1045	183	166	60
PWD301685	1500	1545	183	166	60
PWD301688	2000	2045	183	166	60

## INFORMATION

Measures are indicated in millimetres (mm), unless otherwise specified.

## LOAD CAPACITY AND PRESSURE DROP CURVES 4 SLOTS

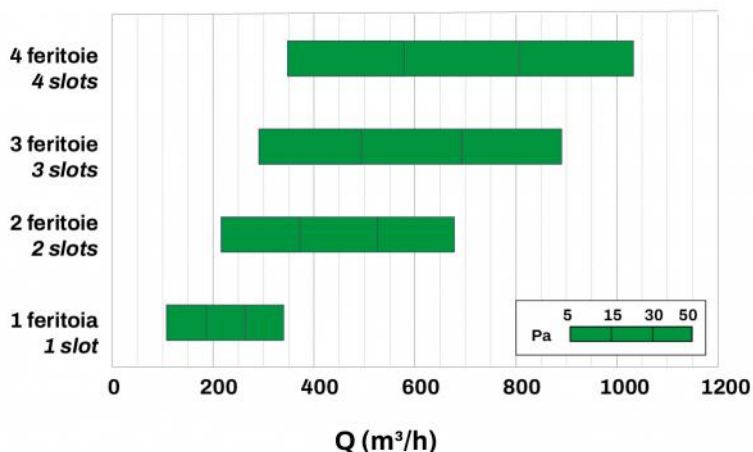


Ak [m <sup>2</sup> ]	Qv min [m <sup>3</sup> /h]	Qv max [m <sup>3</sup> /h]	Lwa min [dB(A)]	Lwa max [dB(A)]	DP min [Pa]	DP max [Pa]
0.084	480	1035	35	49	10	50

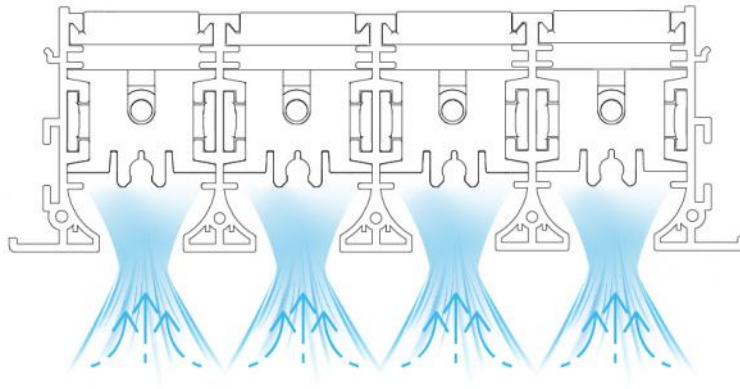
### INFORMATION

The table data refer to 1000 mm long visible linear diffusers

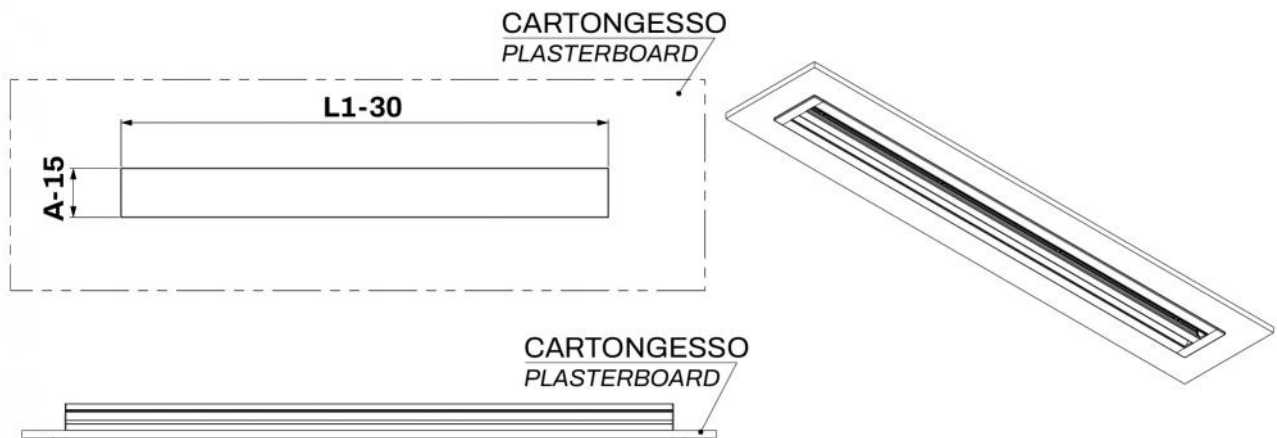
### SHORTCUT DIAGRAM



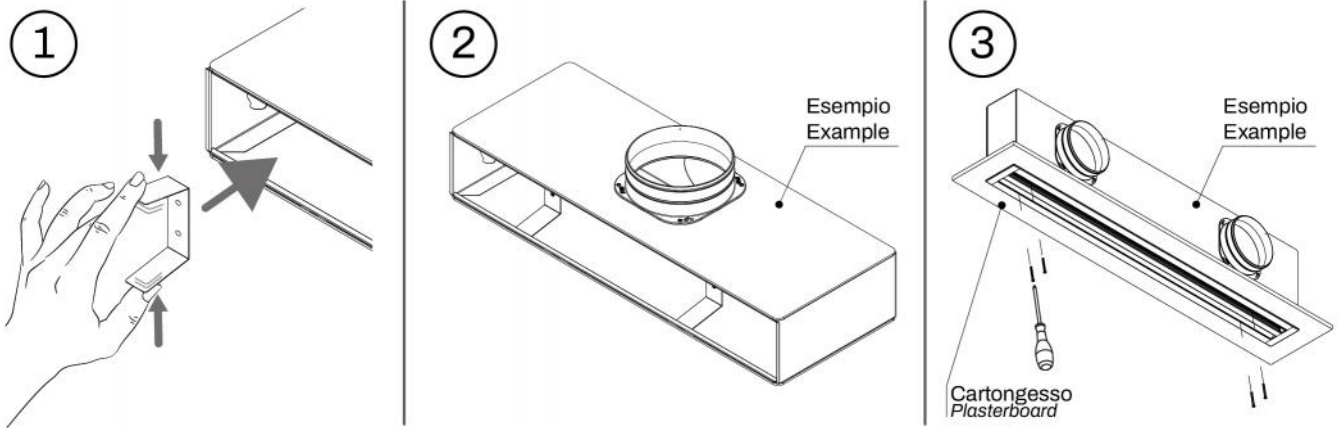
## EXAMPLE OF OPERATION



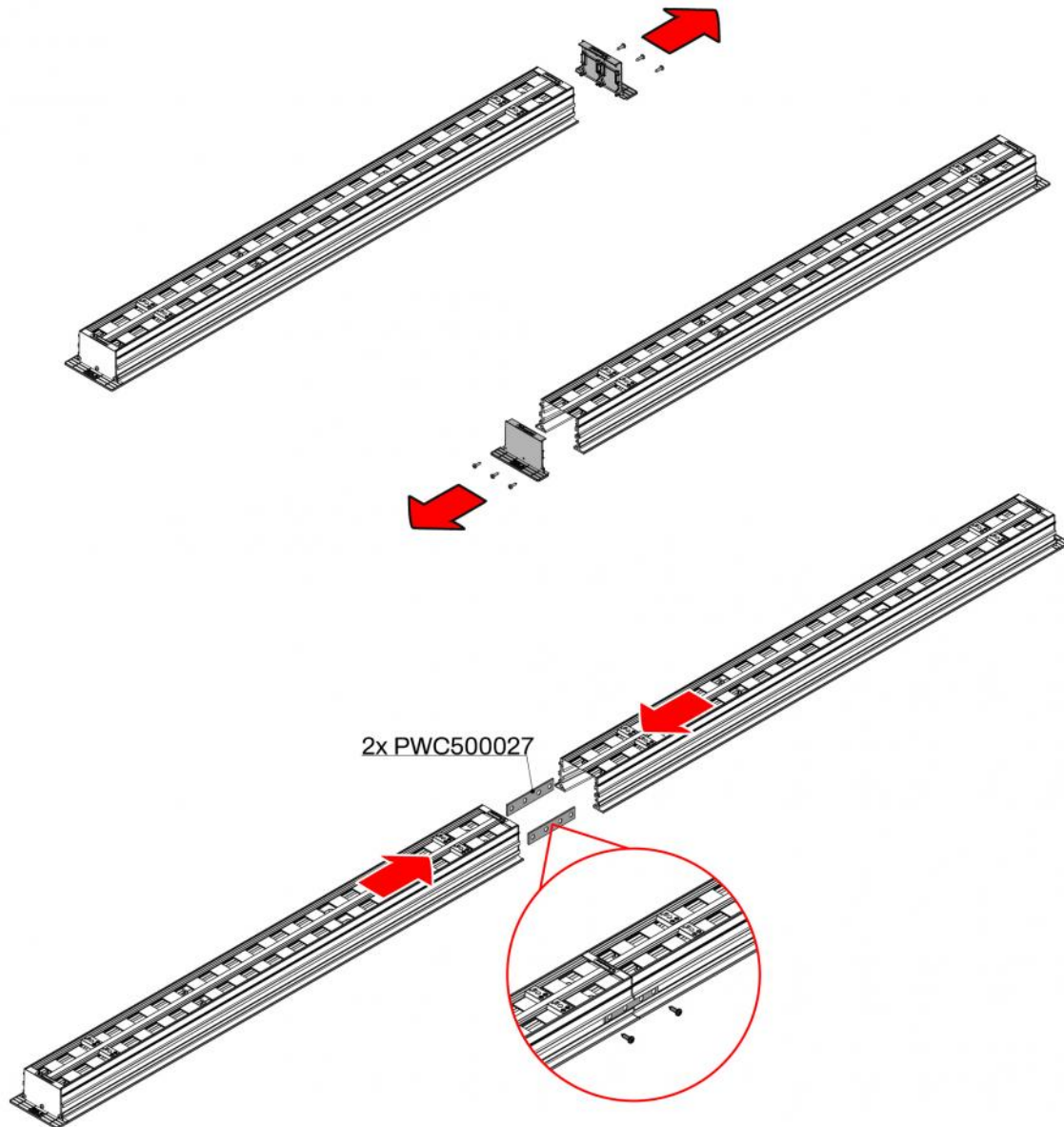
## BUILT-IN INSTALLATION BOX FOR WALLS



**EXAMPLE OF INSTALLATION:**



## EXAMPLE OF CONTINUITY KIT FIXING



## ITEMS

CODE	DESCRIPTION
PWD301676	LINEAR RETURN DIFFUSER IN ALUMINIUM 4 SLOTS L600mm WHITE
PWD301679	LINEAR RETURNS DIFFUSER IN ALUMINIUM 4 SLOTS L800mm WHITE
PWD301682	LINEAR RETURN DIFFUSER IN ALUMINIUM 4 SLOTS L1000mm WHITE
PWD301685	LINEAR RETURN DIFFUSER IN ALUMINIUM 4 SLOTS L1500mm WHITE
PWD301688	LINEAR RETURN DIFFUSER IN ALUMINIUM 4 SLOTS L2000mm WHITE

All rights relating to this publication are the exclusive property of Tecnosystemi SpA.  
Tecnosystemi SpA reserves the right to make changes at any time and without notice, for technical or commercial needs.